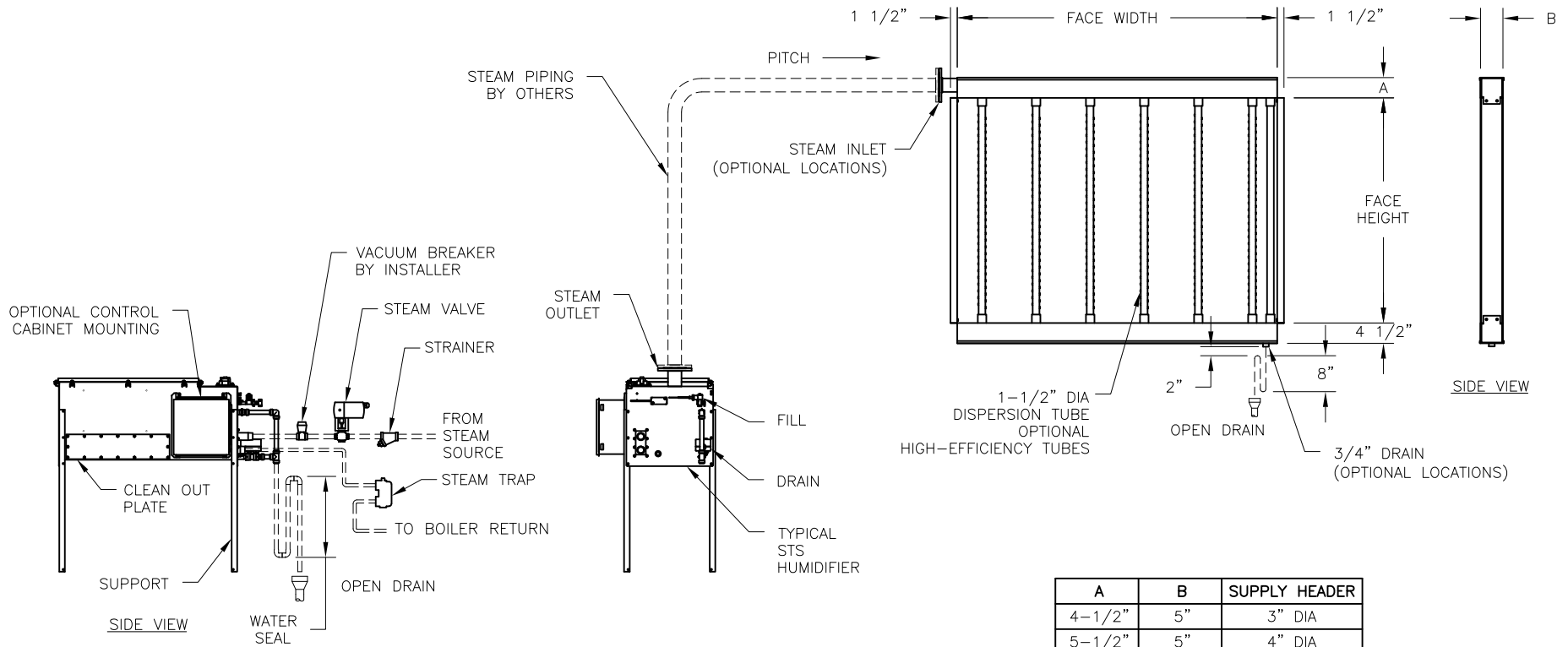


CONFIDENTIAL

DATE	REV	RECORD	DR
8/21	A	SUBMITTAL	JK



A	B	SUPPLY HEADER
4-1/2"	5"	3" DIA
5-1/2"	5"	4" DIA
6-1/2"	6"	5" DIA
7-1/2"	7"	6" DIA

	STS WITH ULTRA-SORB LV	
	MAT'L:	
	SCALE: 1:36	P/N
	DRAWN BY: JK	GENERIC SUBMITTAL
	DATE: 8/17/21	