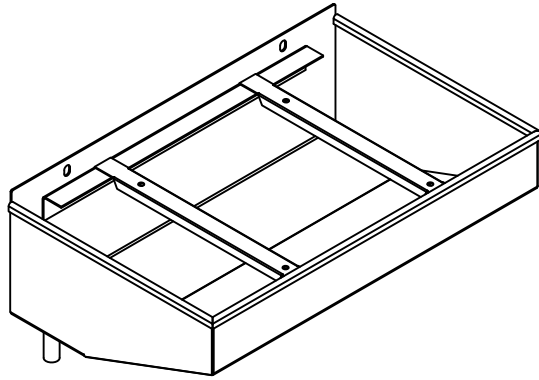
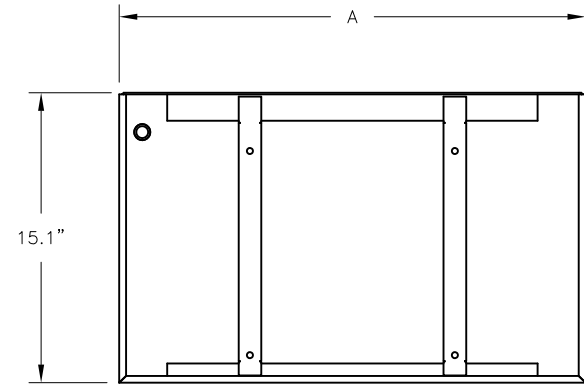


CONFIDENTIAL

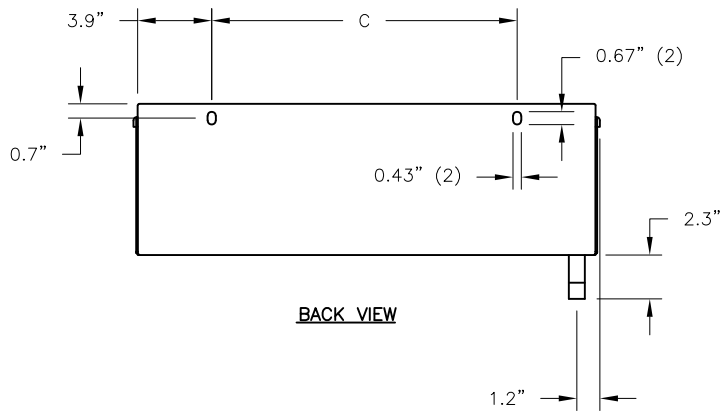
DATE	REV	RECORD	DR
12/23	A	SUBMITTAL	JK



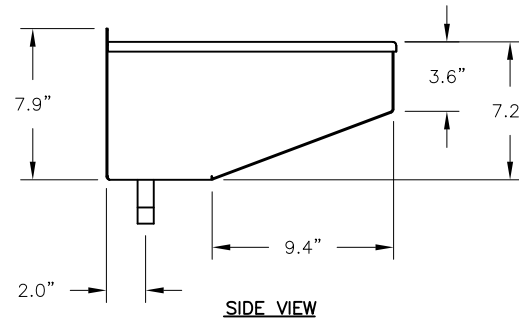
LARGE	42.0"	41.6"	33.6"
MEDIUM	31.4"	30.9"	23.0"
SMALL	24.3"	23.9"	15.9"
DRIP TRAY SIZE	A	B	C



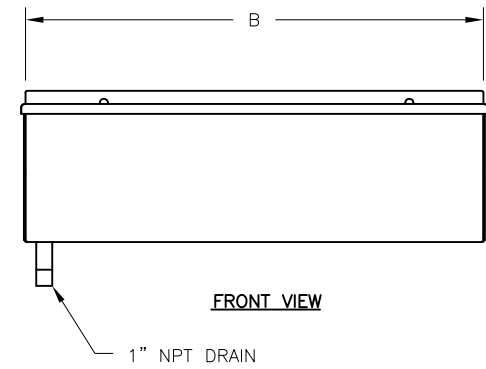
TOP VIEW



BACK VIEW



SIDE VIEW



FRONT VIEW

	ULTRASONIC MODEL BR DRIP TRAYS	
	MAT'L:	
	SCALE: 1:10	P/N
	DATE: 12/20/23	GENERIC SUBMITTAL

DRAWN BY: JK