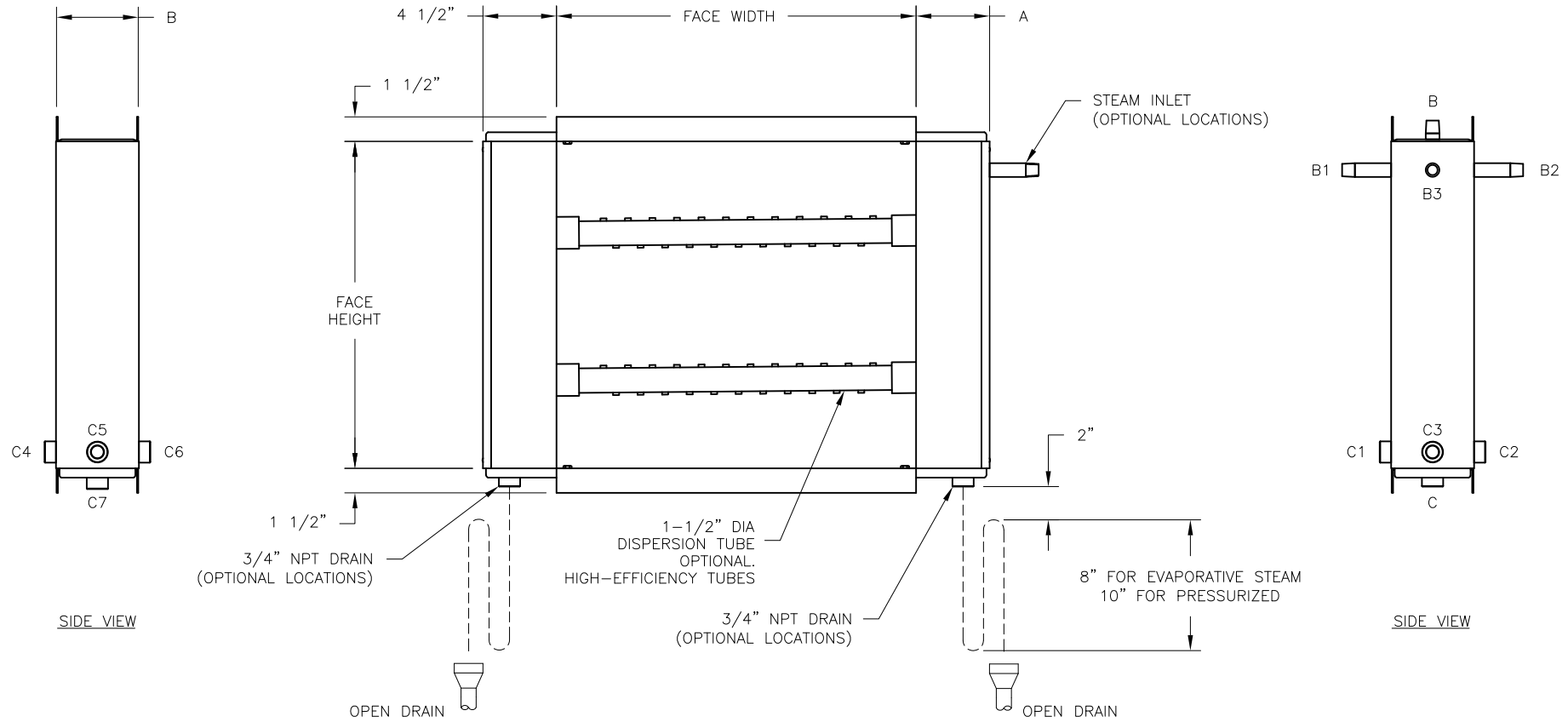


CONFIDENTIAL

DATE	REV	RECORD	DR
10/21	A	SUBMITTAL	JK
12/23	B	SUBMITTAL	JK



A	B	SUPPLY HEADER
4-1/2"	5"	3" DIA
5-1/2"	5"	4" DIA
6-1/2"	6"	5" DIA
7-1/2"	7"	6" DIA

		ULTRA-SORB LH	
		MAT'L:	
SCALE: 1:10	P/N	GENERIC SUBMITTAL	
DRAWN BY: JK	DATE: 10/4/21		