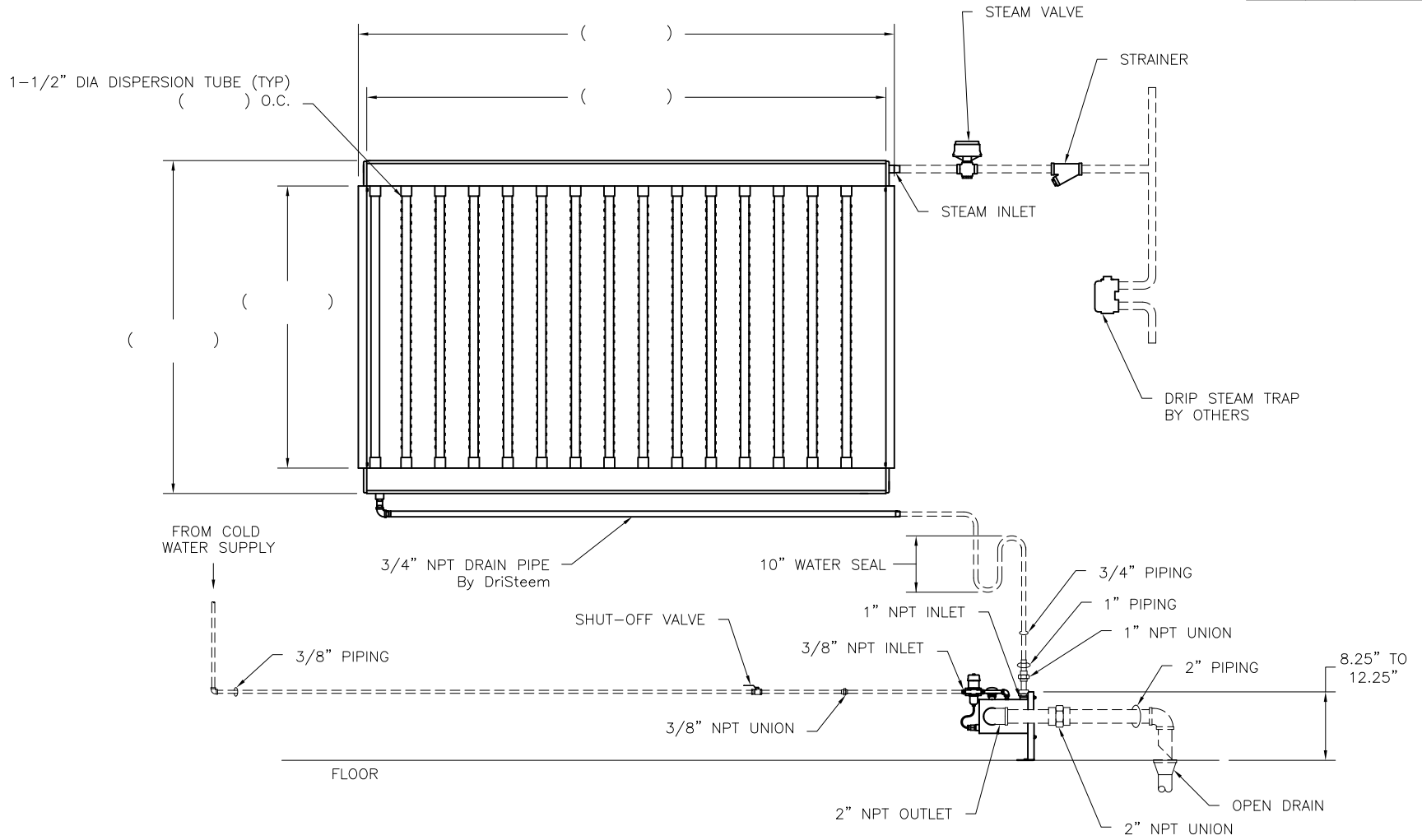


CONFIDENTIAL

DATE	REV	RECORD	DR
8/21	A	SUBMITTAL	JK



NOTE:

1. ALL DASHED PIPING BY OTHERS

		ULTRA-SORB LV WITH DRANE KOOLER PRESSURIZED	
		MAT'L:	P/N
SCALE:	1:28	GENERIC SUBMITTAL	
DRAWN BY:	JK		
DATE:	8/4/21		