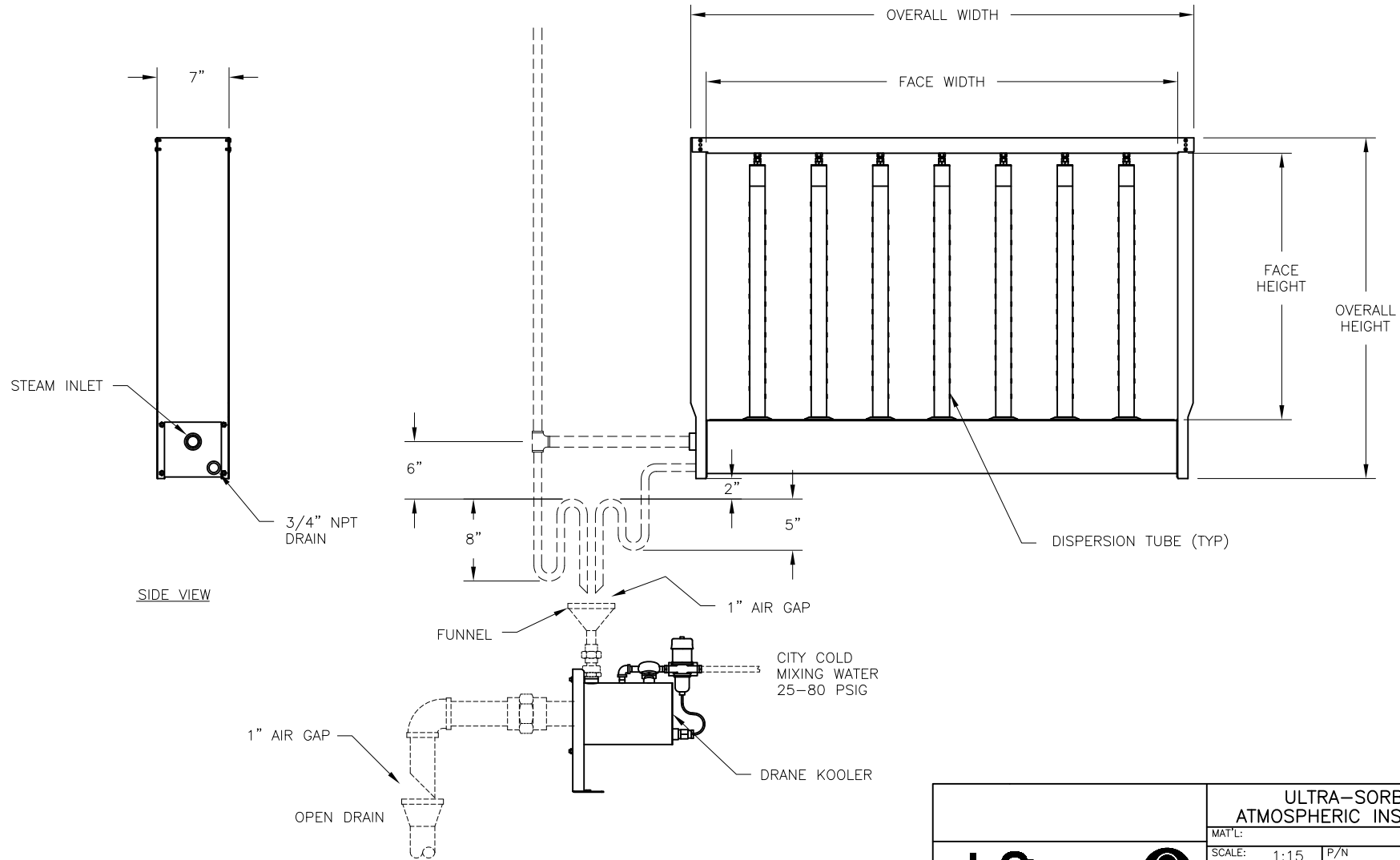


CONFIDENTIAL

DATE	REV	RECORD	DR
8/21	A	SUBMITTAL	JK



	ULTRA-SORB MP ATMOSPHERIC INSTALLATION	
	MAT'L:	P/N
	SCALE: 1:15	GENERIC SUBMITTAL
	DRAWN BY: JK	
	DATE: 8/4/21	