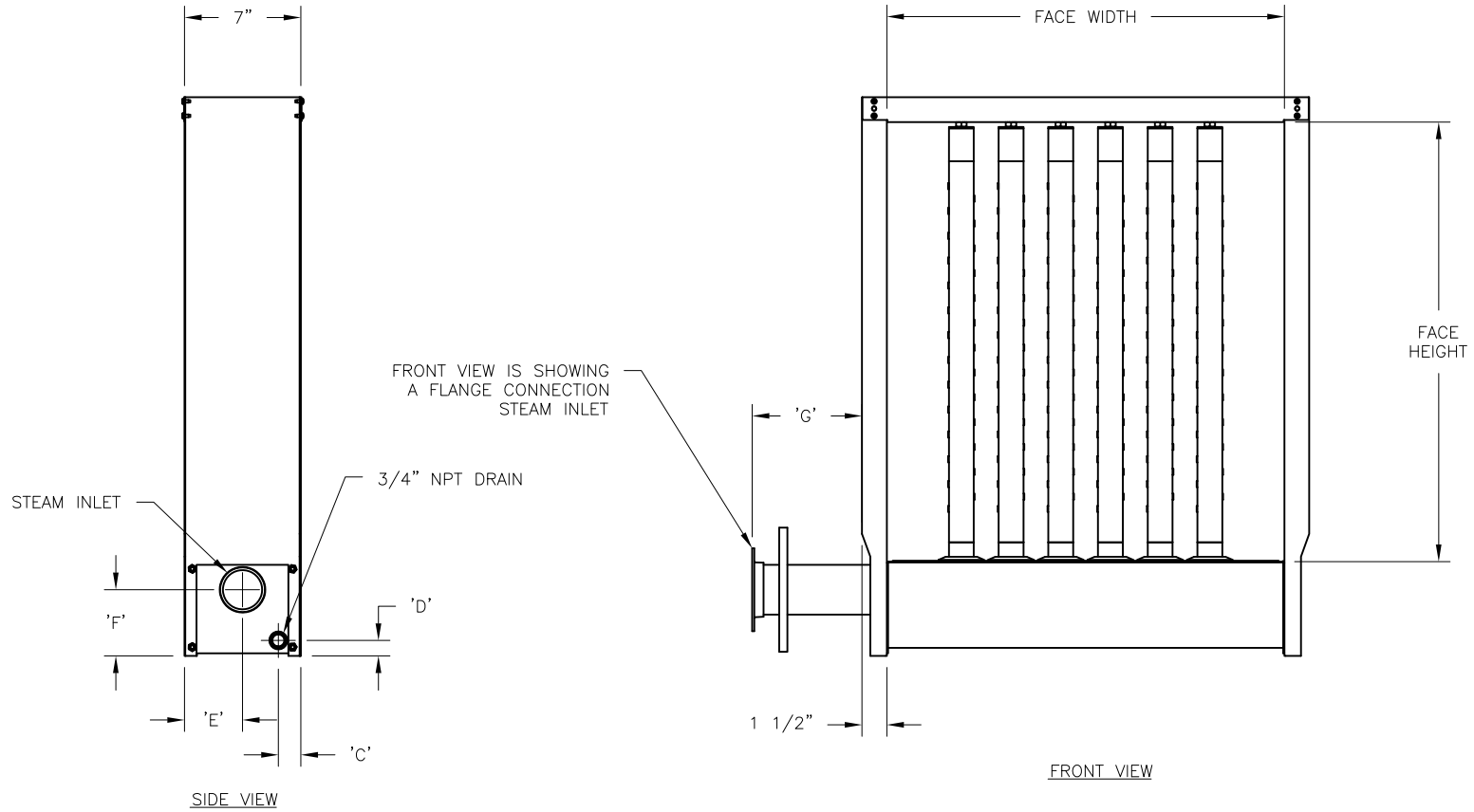


CONFIDENTIAL

DATE	REV	RECORD	DR
8/21	A	SUBMITTAL	JK



4" FLANGE	1-7/16"	1-1/16"	2-7/8"	3-11/32"	6-1/2"
3" FLANGE	1-7/16"	1-1/16"	3-1/2"	3-13/16"	6-1/2"
2" NPT	1-7/16"	1-1/16"	3-1/2"	3-9/16"	1"
1-1/2" NPT	1-7/16"	1-1/16"	3-1/2"	3-9/16"	---
1" NPT	1-7/16"	1-1/16"	3-1/2"	3-9/16"	---
2" HOSE	1-7/16"	1-1/16"	3-1/2"	3-9/16"	1/2"
1-1/2" HOSE	1-7/16"	1-1/16"	3-1/2"	3-9/16"	1/2"
INLET SIZE	DIMENSION 'C'	DIMENSION 'D'	DIMENSION 'E'	DIMENSION 'F'	DIMENSION 'G'

		ULTRA-SORB MP INLETS	
		MAT'L:	
SCALE:	1:11	P/N	
DRAWN BY:	JK	GENERIC SUBMITTAL	
DATE:	8/4/21		