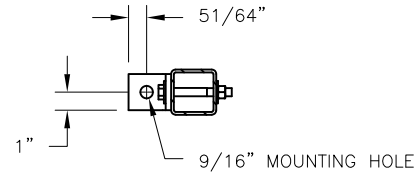
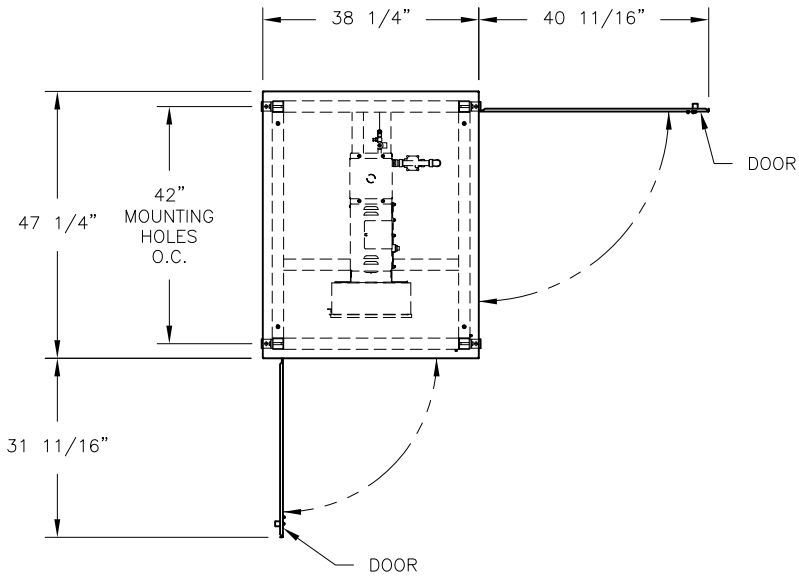
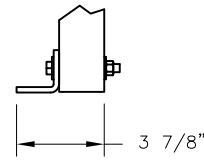


CONFIDENTIAL

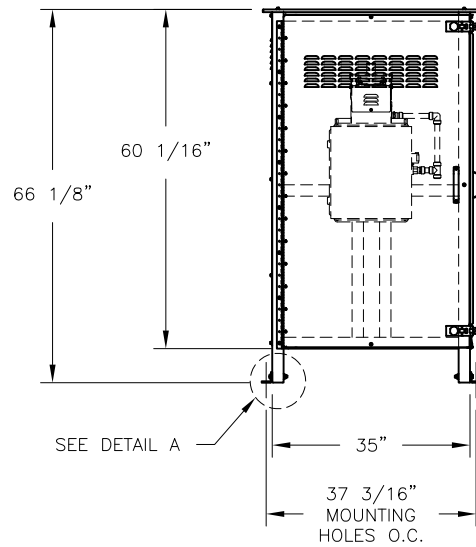
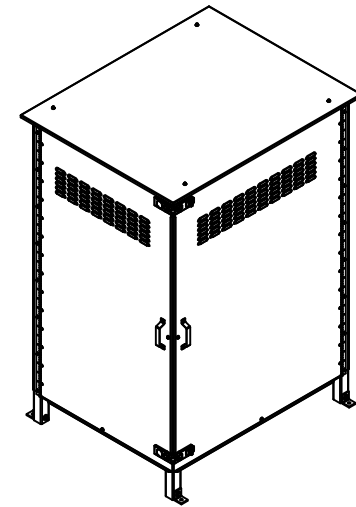
DATE	REV	RECORD	DR
2/23	A	SUBMITTAL	JK



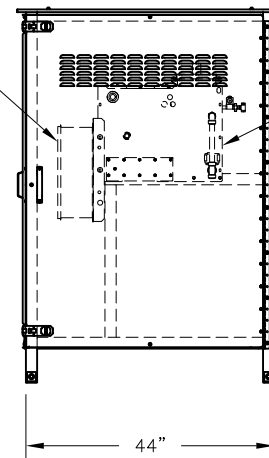
TOP VIEW OF DETAIL A



DETAIL A



CONTROL CABINET



TYPICAL VLC/VLDI
1 HEATER HUMIDIFIER

		VLC 1 HEATER WEATHER COVER	
		MAT'L:	
SCALE: 1:34	P/N	GENERIC SUBMITTAL	
DRAWN BY: JK			
DATE: 2/15/23			