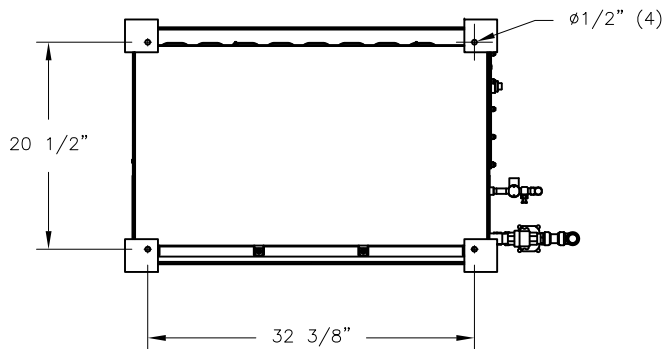
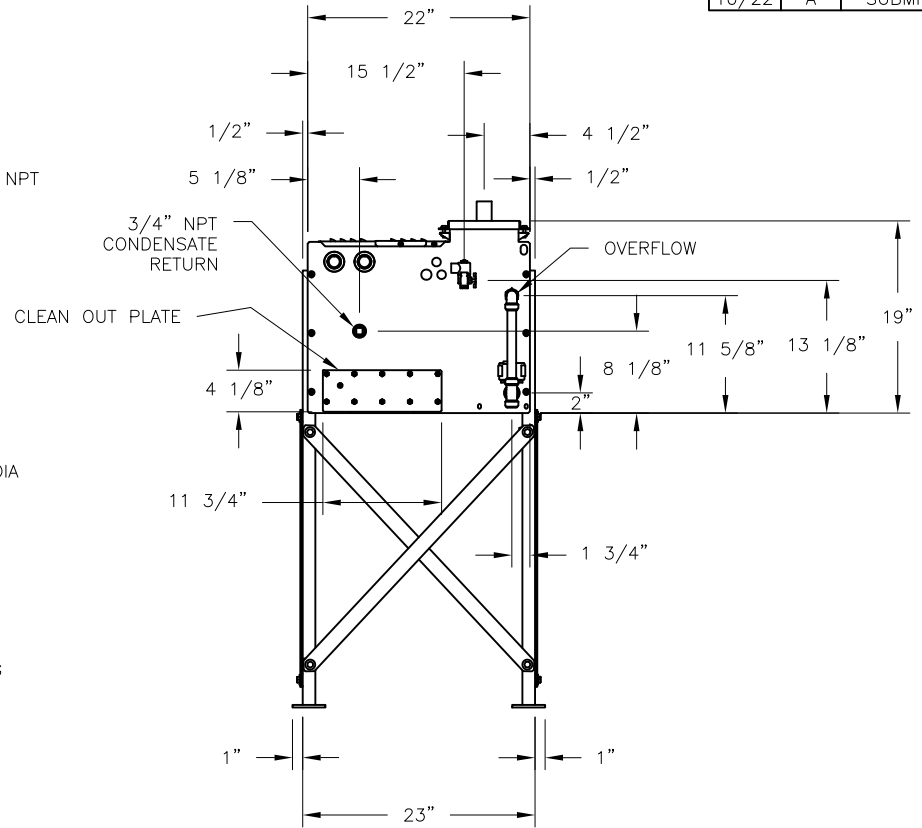
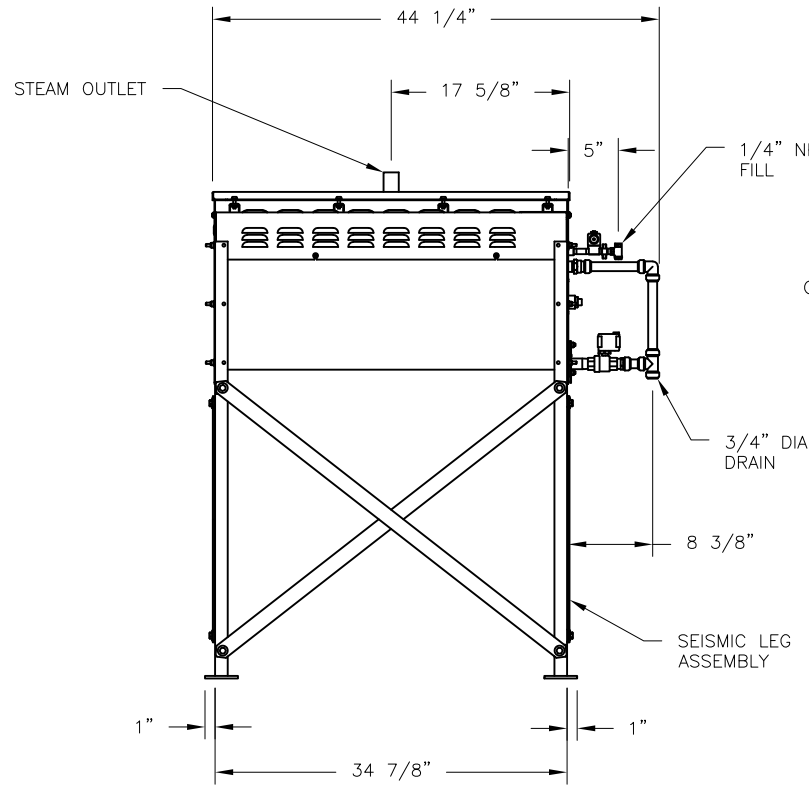



CONFIDENTIAL

| DATE  | REV | RECORD    | DR |
|-------|-----|-----------|----|
| 10/22 | A   | SUBMITTAL | JK |



|   |          |                            |     |
|---|----------|----------------------------|-----|
|  |          | VLC 12 HEATER SEISMIC LEGS |     |
|   |          | MAT'L:                     | P/N |
| SCALE:  | 1:19     | GENERIC SUBMITTALS         |     |
| DRAWN BY:   | JK       |                            |     |
| DATE:   | 10/13/22 |                            |     |