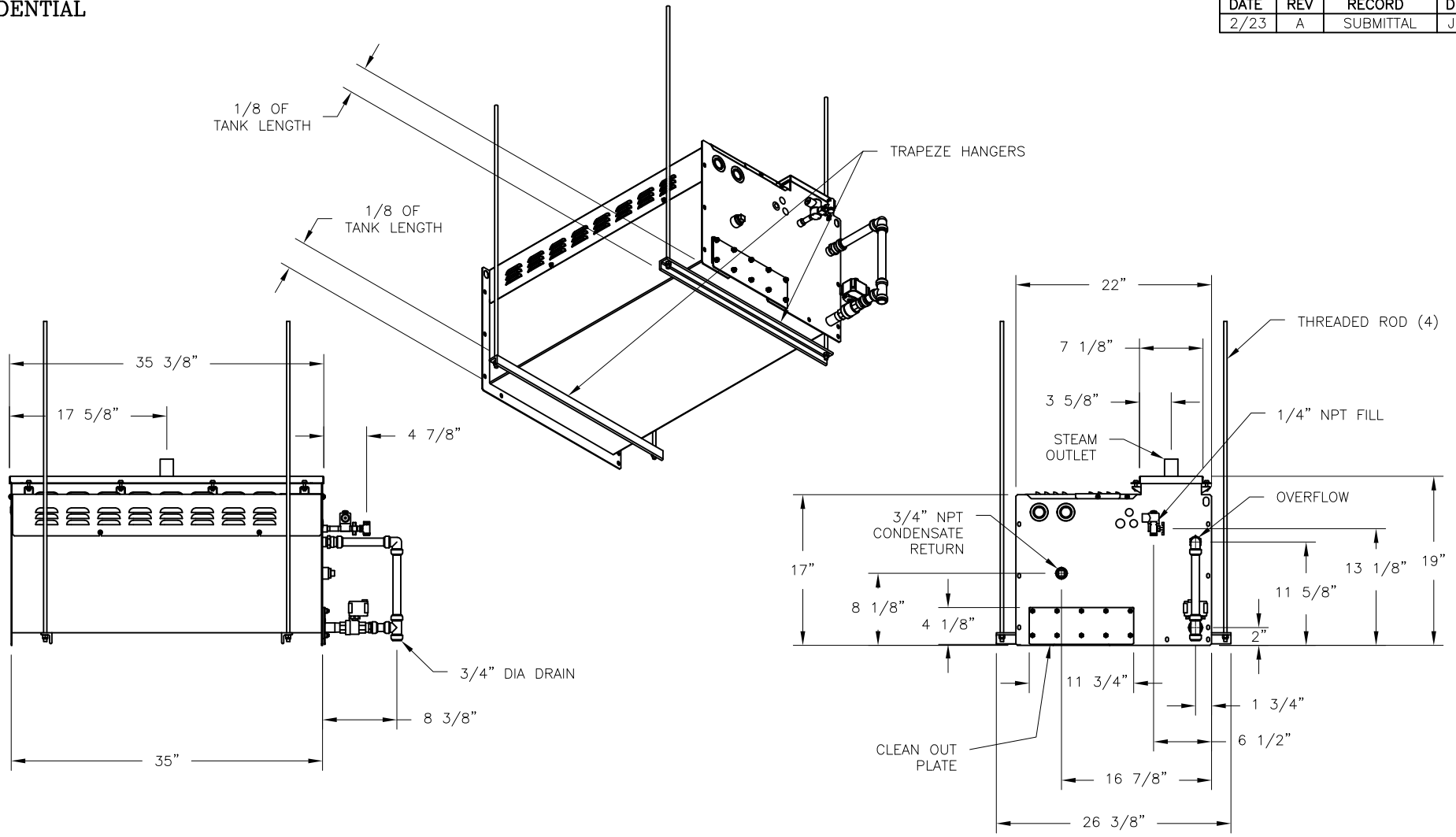



CONFIDENTIAL

DATE	REV	RECORD	DR
2/23	A	SUBMITTAL	JK



		VLC 12 HEATER TRAPEZE HANGERS	
		MAT'L:	P/N
SCALE:	1:17	GENERIC SUBMITTAL	
DRAWN BY:	JK		
DATE:	2/6/23		