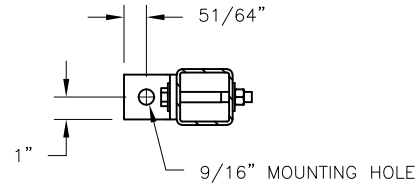
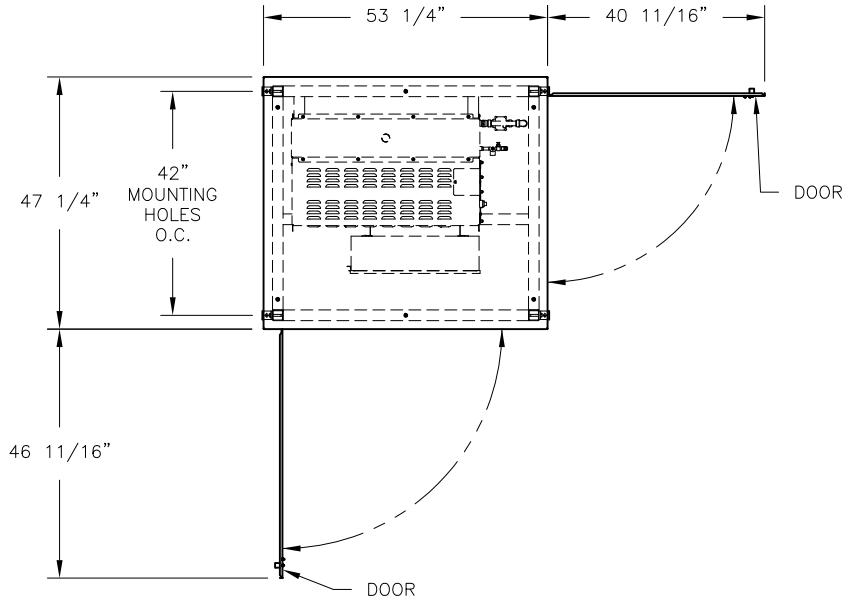
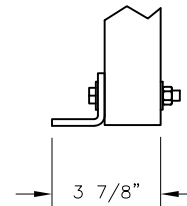


CONFIDENTIAL

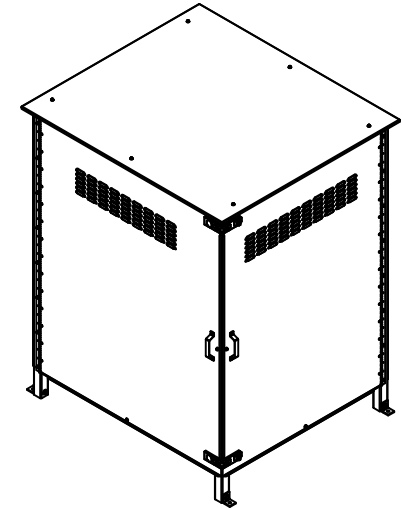
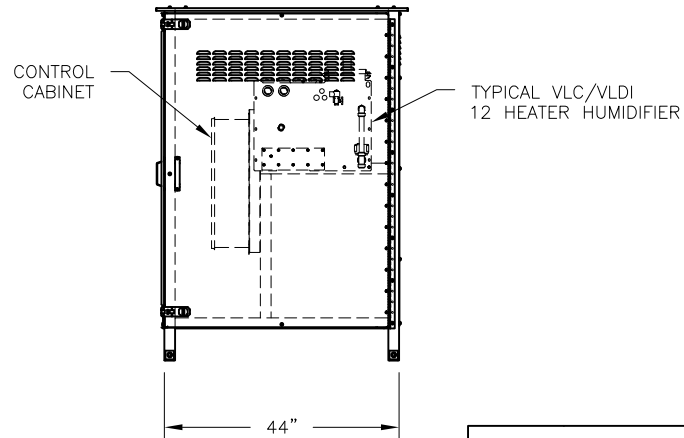
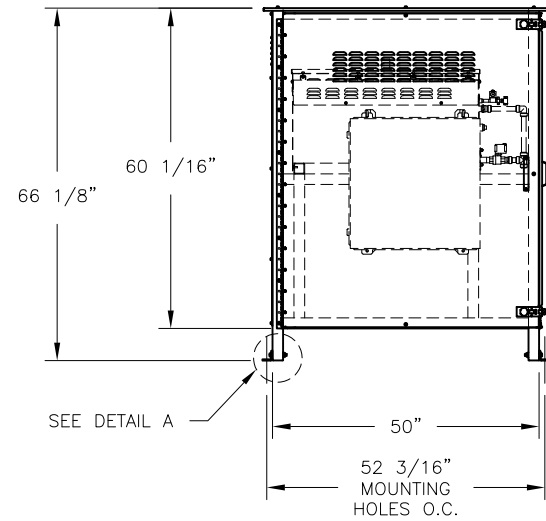
DATE	REV	RECORD	DR
2/23	A	SUBMITTAL	JK



TOP VIEW OF DETAIL A



DETAIL A



		VLC 12 HEATER WEATHER COVER	
		MAT'L:	P/N
SCALE:	1:36	GENERIC SUBMITTAL	
DRAWN BY:	JK		
DATE:	2/15/23		