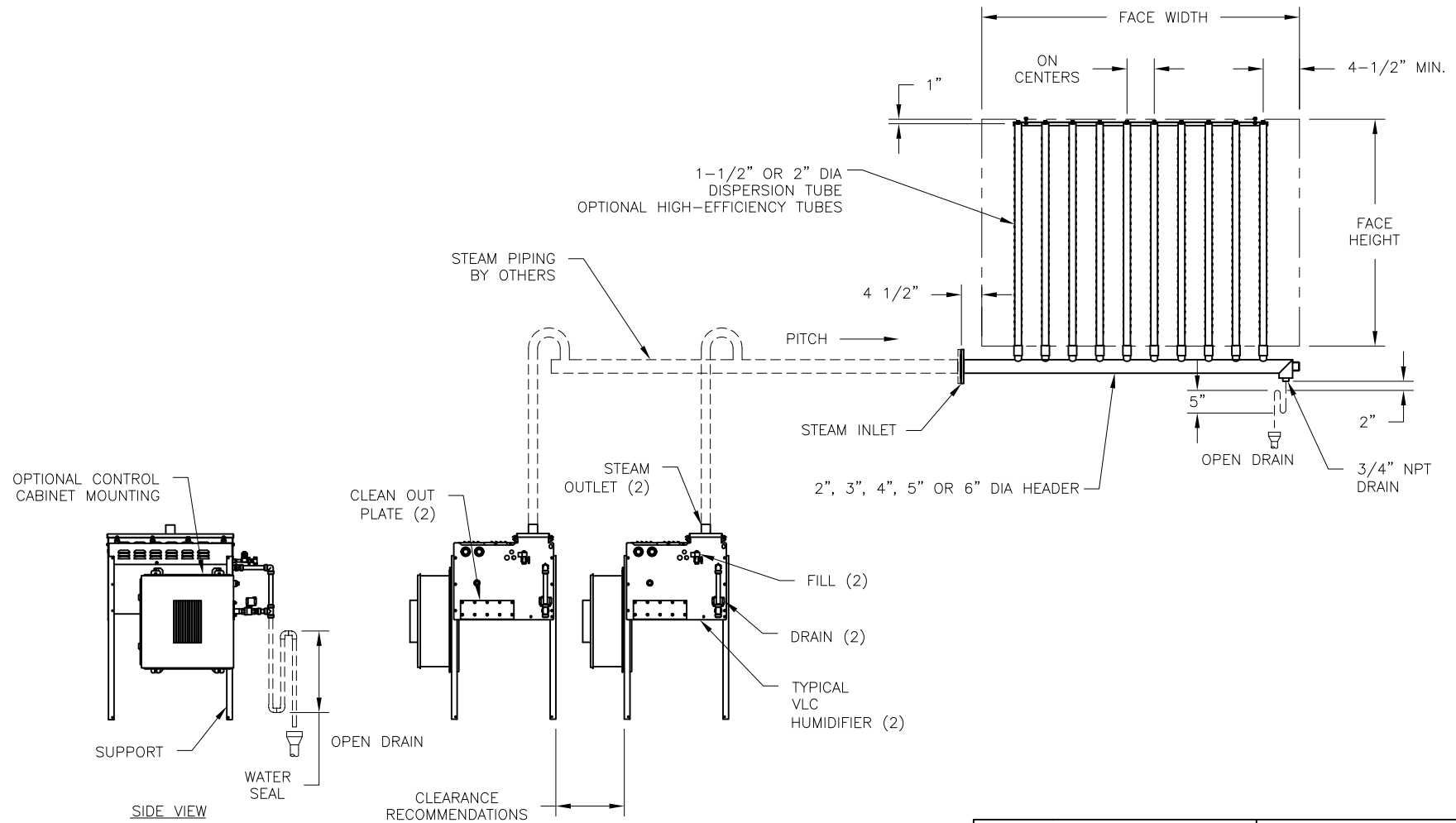


CONFIDENTIAL

DATE	REV	RECORD	DR
9/24	A	SUBMITTAL	JK



	VLC (2) WITH RAPID-SORB	
	MAT'L:	
	SCALE: 1:35	P/N
	DATE: 9/11/24	GENERIC SUBMITTAL