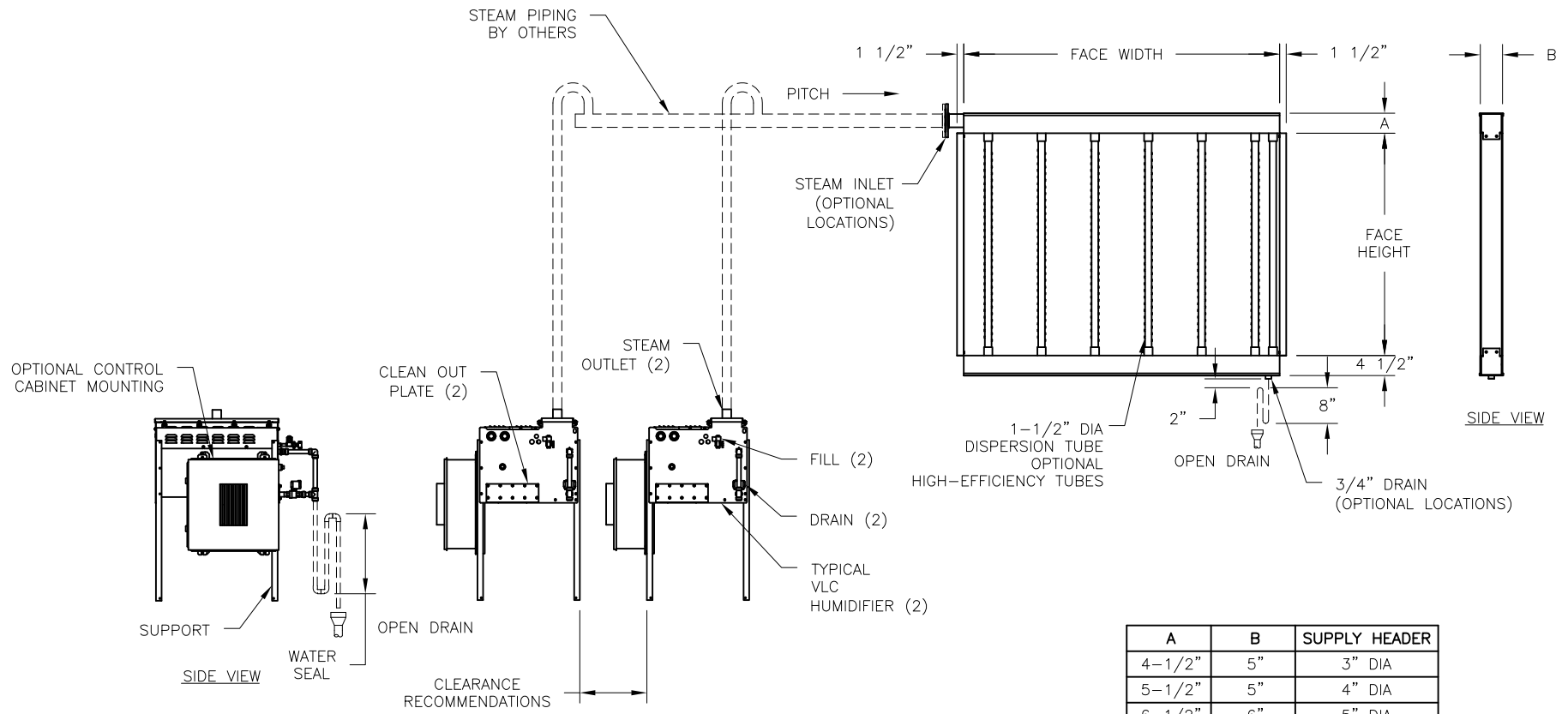


CONFIDENTIAL

DATE	REV	RECORD	DR
9/24	A	SUBMITTAL	JK



A	B	SUPPLY HEADER
4-1/2"	5"	3" DIA
5-1/2"	5"	4" DIA
6-1/2"	6"	5" DIA
7-1/2"	7"	6" DIA

	VLC (2) WITH ULTRA-SORB LV	
	MAT'L:	
	SCALE: 1:37	P/N
	DATE: 9/11/24	GENERIC SUBMITTAL