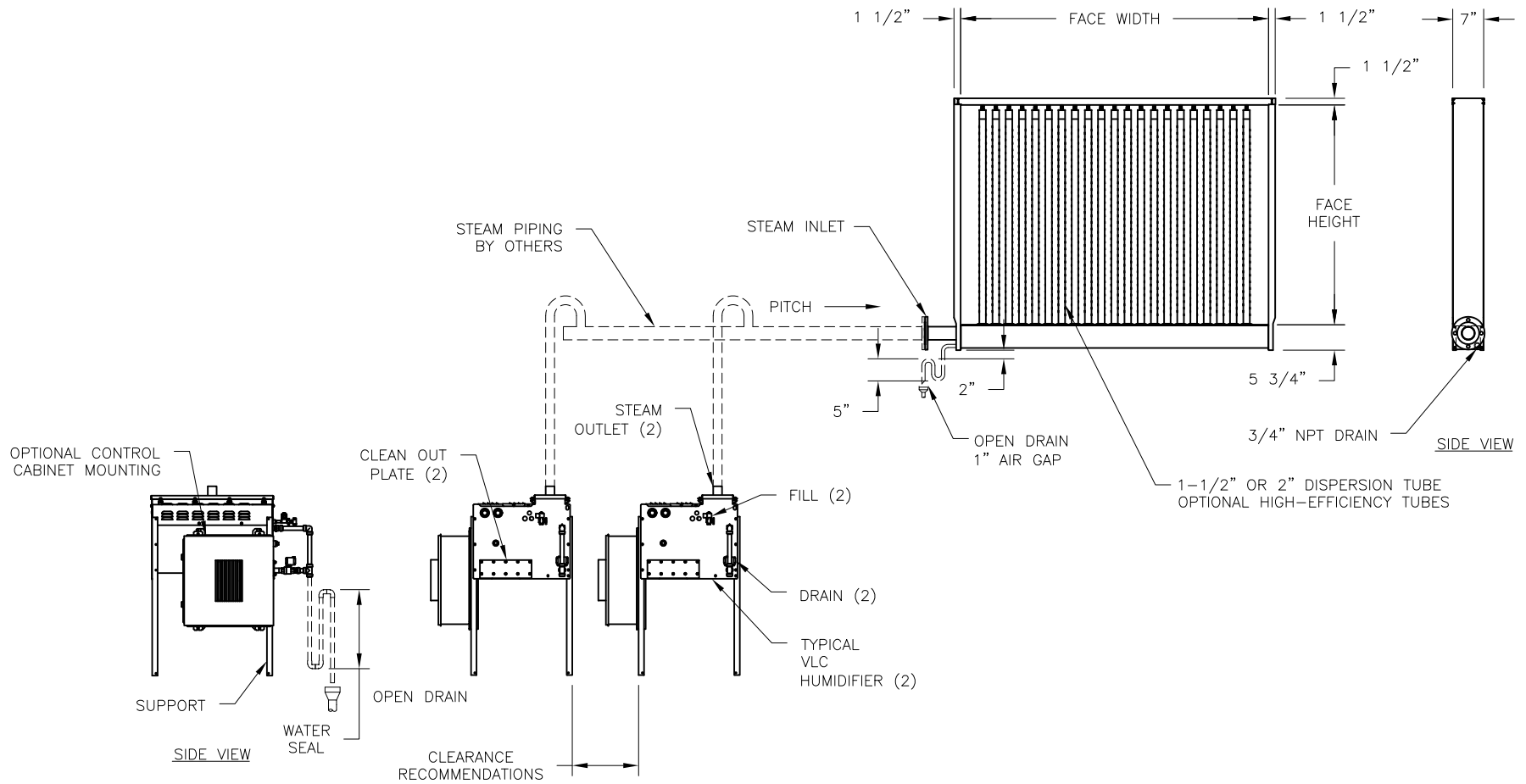


CONFIDENTIAL

DATE	REV	RECORD	DR
9/24	A	SUBMITTAL	JK



	VLC (2) WITH ULTRA-SORB MP	
	MAT'L:	
	SCALE: 1:37	P/N
	DATE: 8/16/21	GENERIC SUBMITTAL