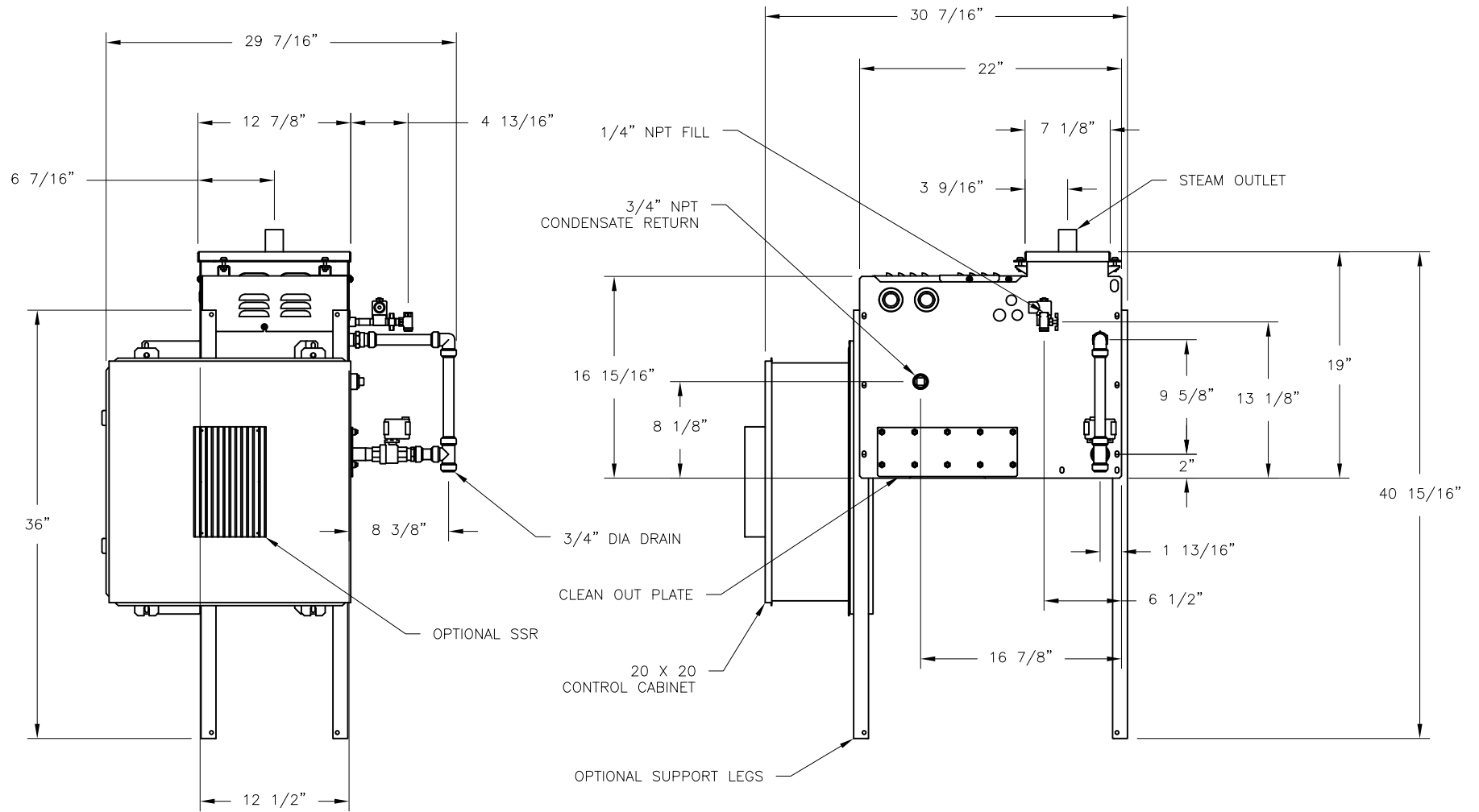


CONFIDENTIAL

DATE	REV	RECORD	DR
7/22	A	SUBMITTAL	JK



		VLC 3 HEATER MEDIUM CABINET	
		MAT'L:	
SCALE:	1:13	P/N	
DRAWN BY:	JK		GENERIC SUBMITTAL
DATE:	7/20/22		