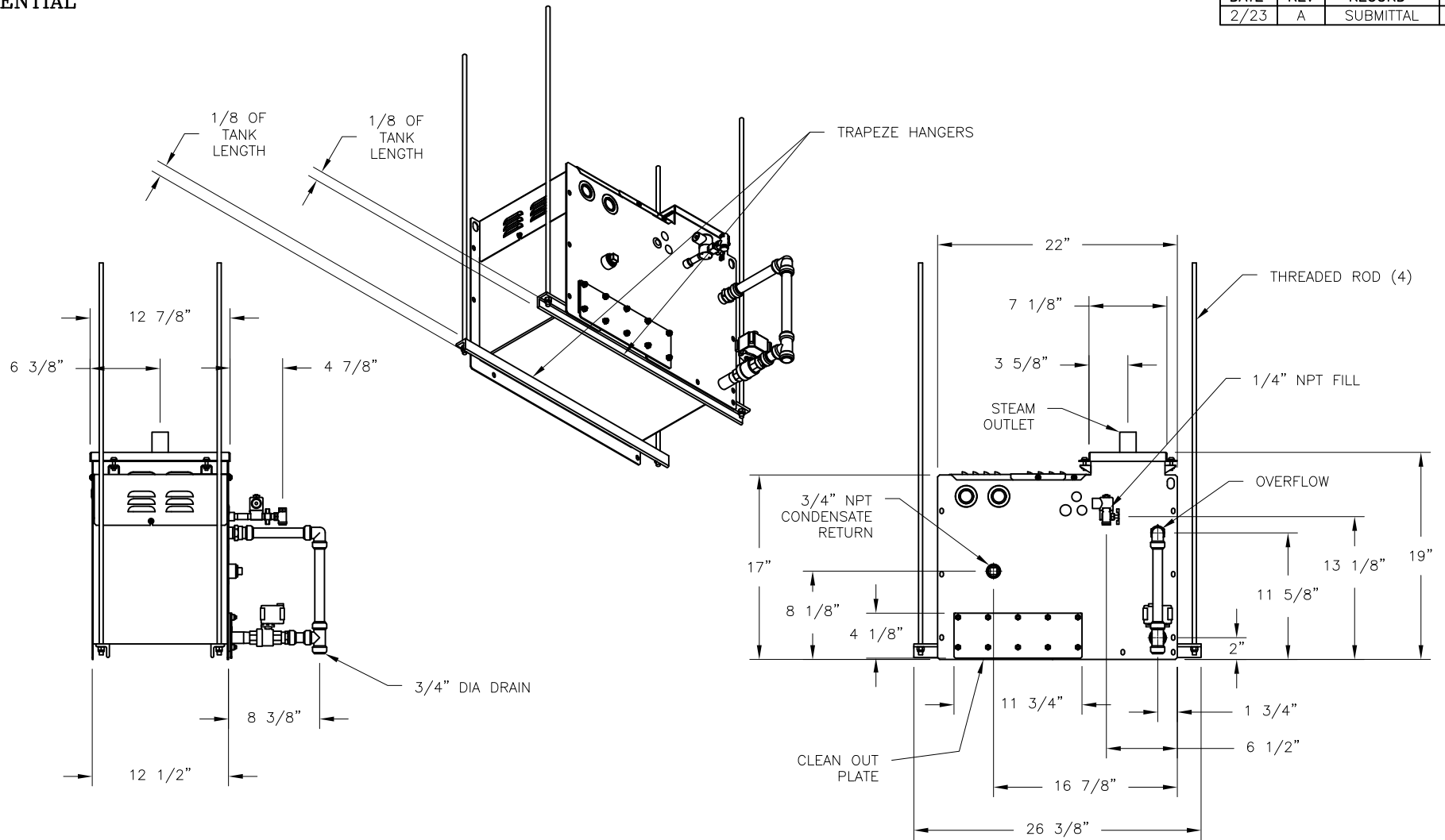



CONFIDENTIAL

DATE	REV	RECORD	DR
2/23	A	SUBMITTAL	JK



		VLC 3 HEATER TRAPEZE HANGERS	
		MAT'L:	
SCALE:	1:14	P/N	
DRAWN BY:	JK	GENERIC SUBMITTAL	
DATE:	2/6/23		