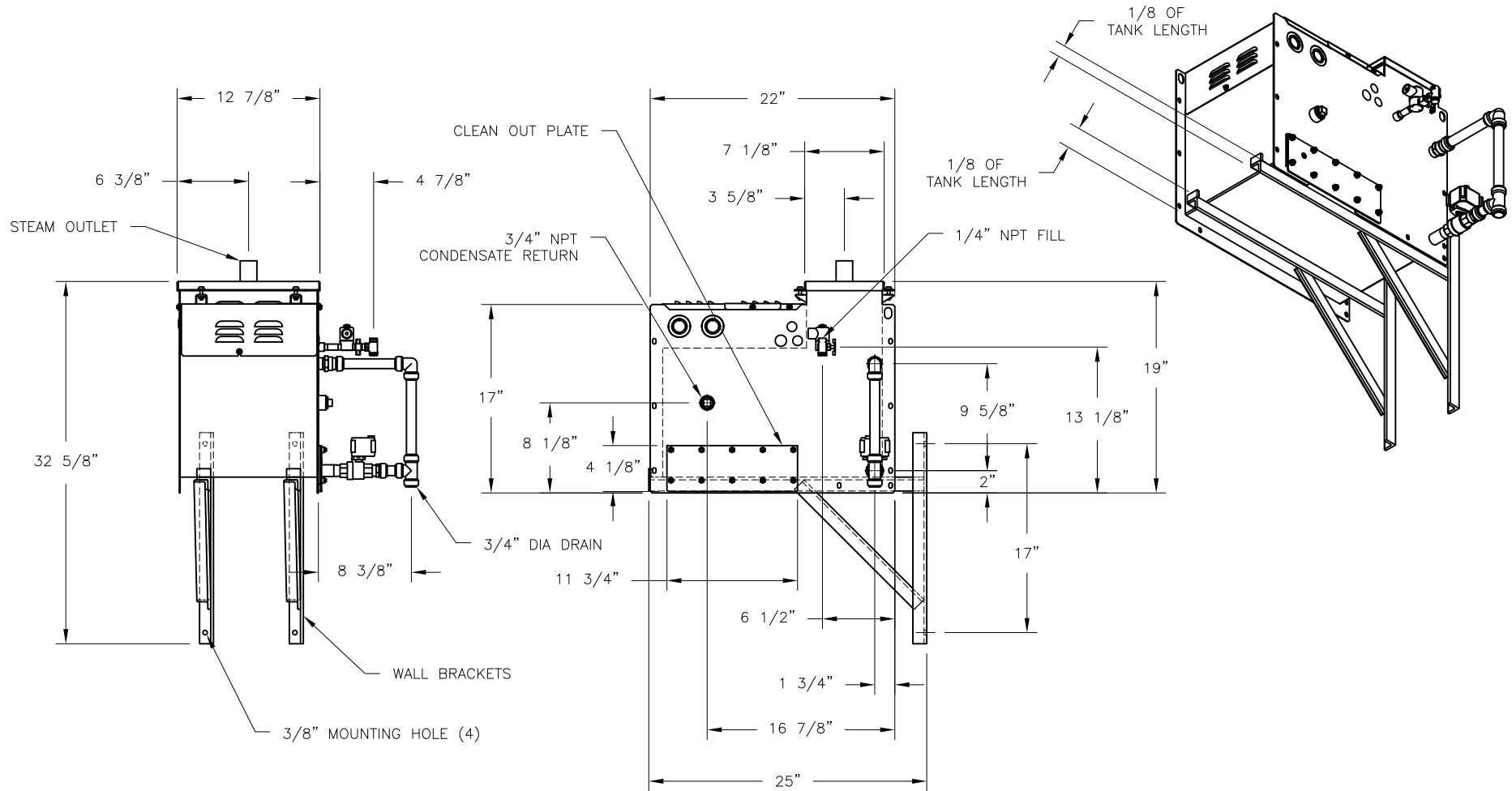


CONFIDENTIAL

DATE	REV	RECORD	DR
1/23	A	SUBMITTAL	JK



	VLC 3 HEATER WALL BRACKERS	
	MAT'L:	
	SCALE: 1:14	P/N
	DRAWN BY: JK	GENERIC SUBMITTAL
	DATE: 1/4/23	