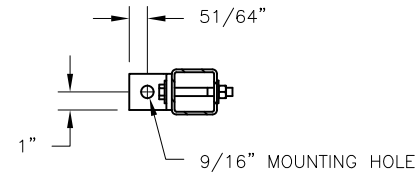
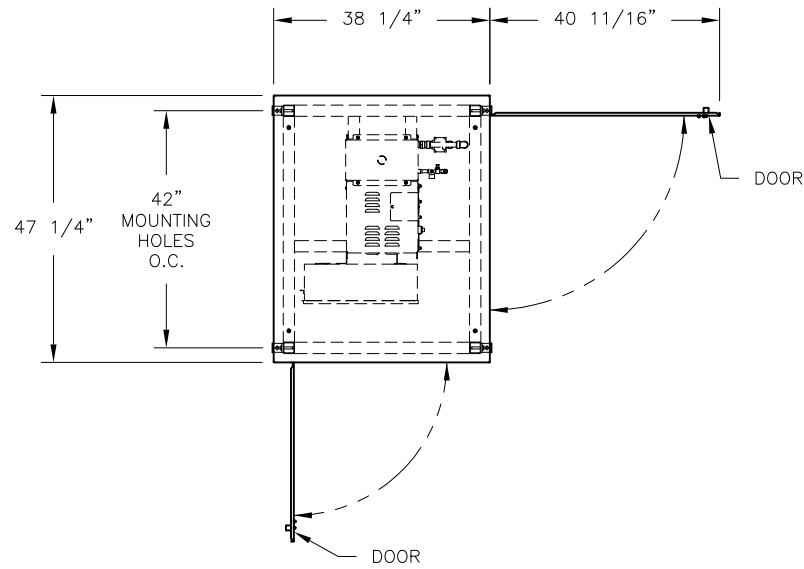
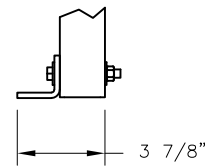


CONFIDENTIAL

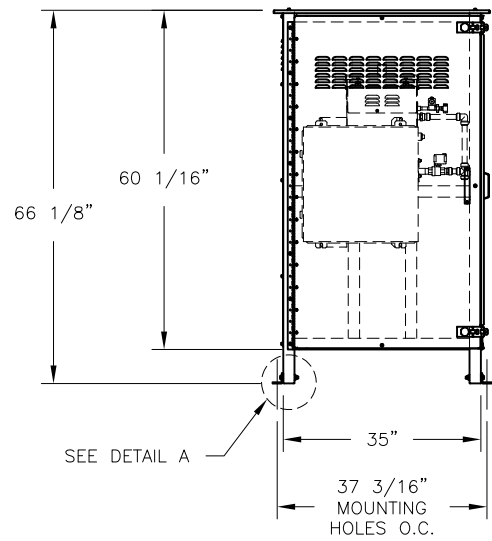
DATE	REV	RECORD	DR
2/23	A	SUBMITTAL	JK



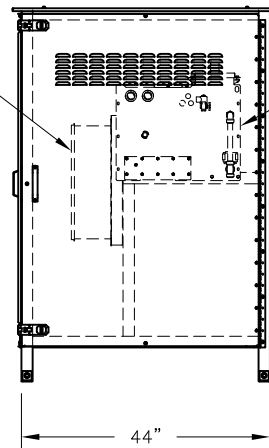
TOP VIEW OF DETAIL A



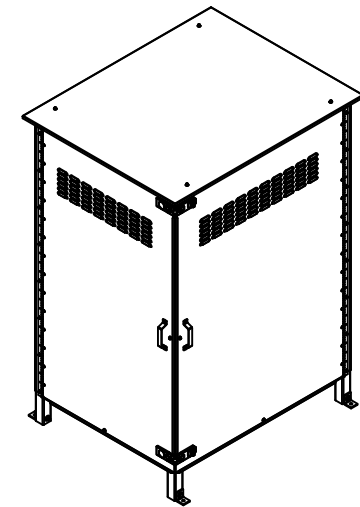
DETAIL A



CONTROL CABINET



TYPICAL VLC/VLDI
3 HEATER HUMIDIFIER



	VLC 3 HEATER WEATHER COVER	
	MAT'L:	
	SCALE: 1:34	P/N
	DRAWN BY: JK	GENERIC SUBMITTAL
	DATE: 2/15/23	