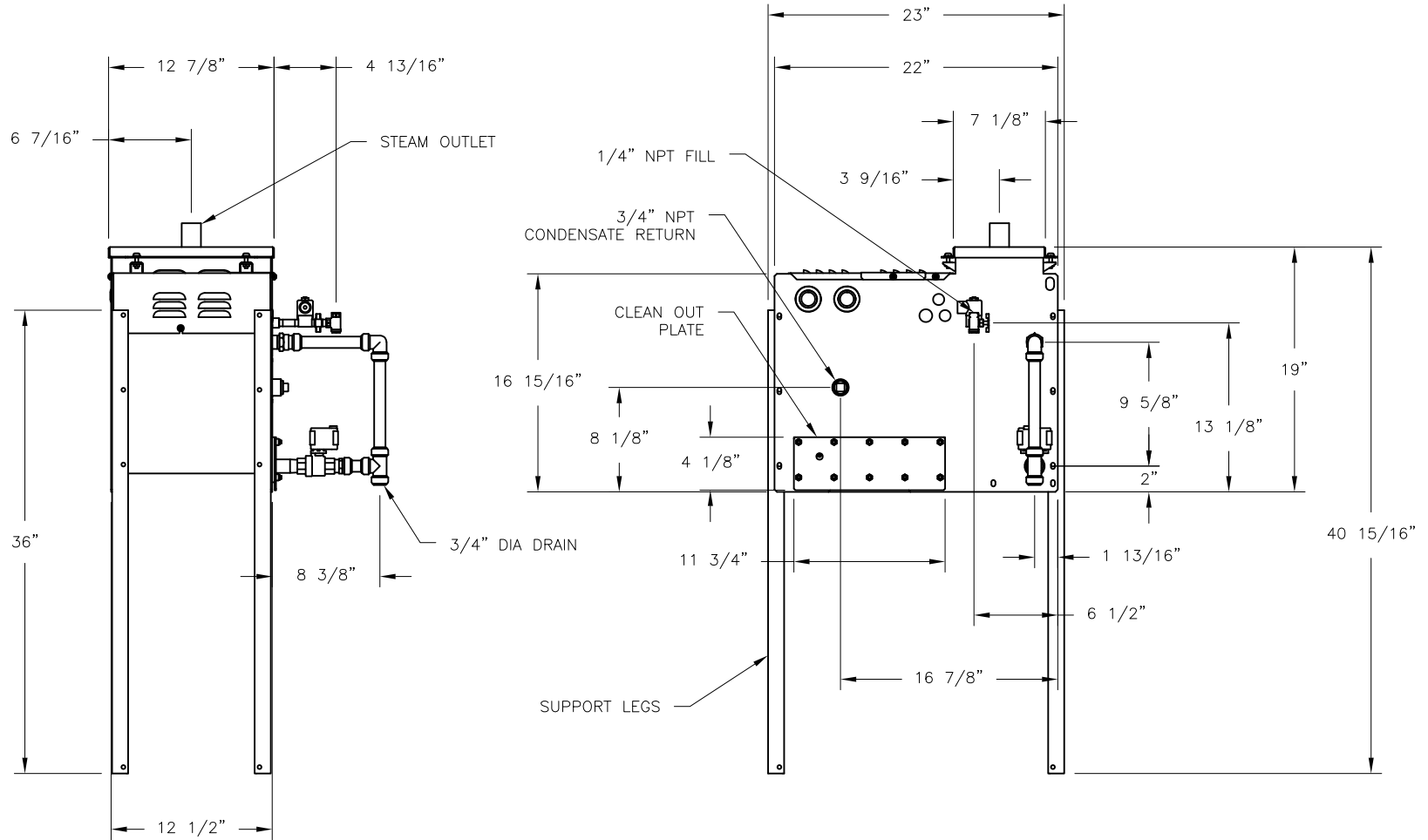



CONFIDENTIAL

DATE	REV	RECORD	DR
8/21	A	SUBMITTAL	JK
8/22	B	SUBMITTAL	JK



		VLC 3 HEATER	
		MAT'L:	
SCALE:	1:13	P/N	
DRAWN BY:	JK	GENERIC SUBMITTAL	
DATE:	8/5/21		