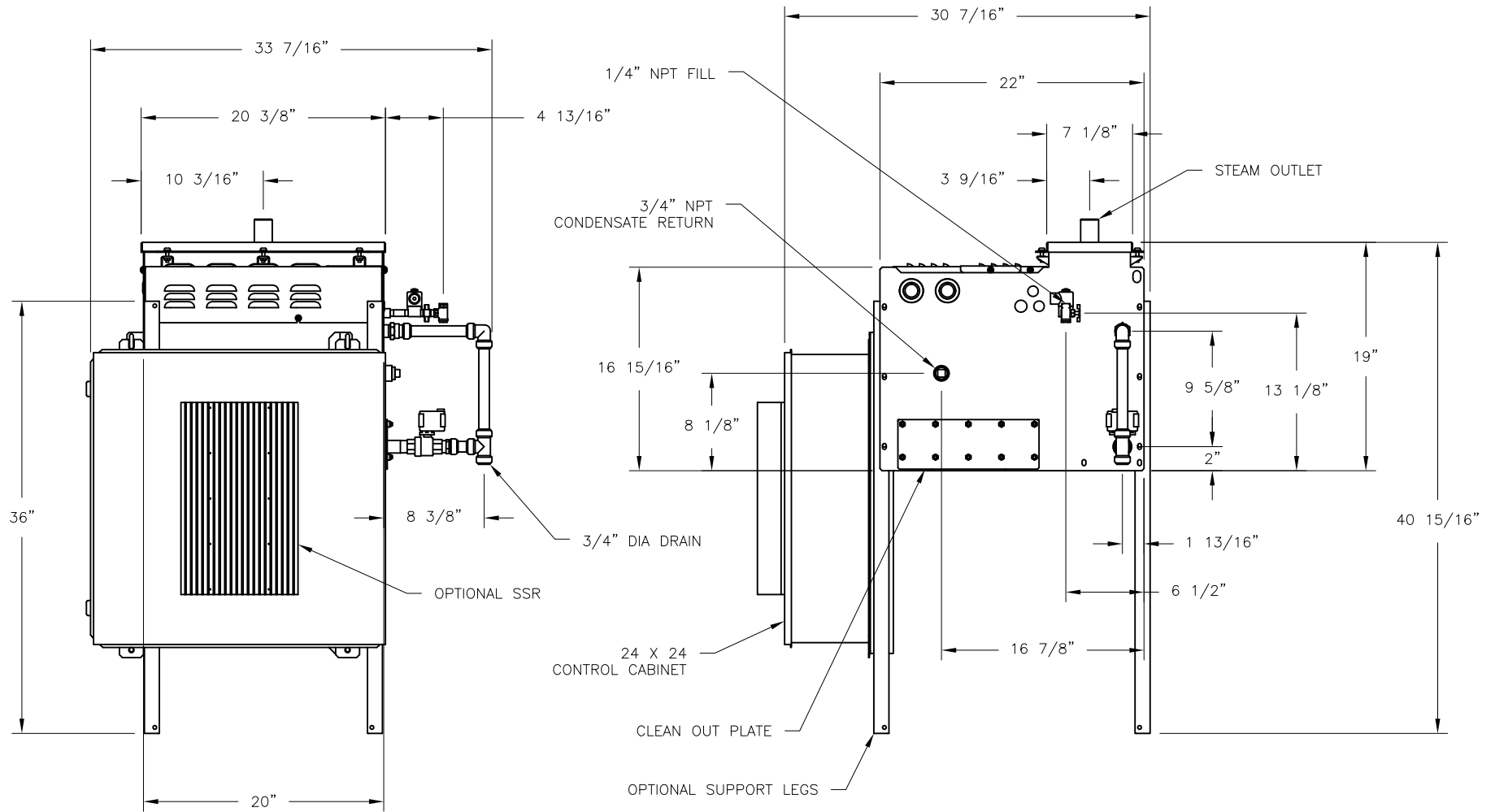



CONFIDENTIAL

DATE	REV	RECORD	DR
7/22	A	SUBMITTAL	JK



	VLC 6 HEATER LARGE CABINET	
	MAT'L:	
	SCALE: 1:13	P/N
	DATE: 7/21/22	GENERIC SUBMITTAL