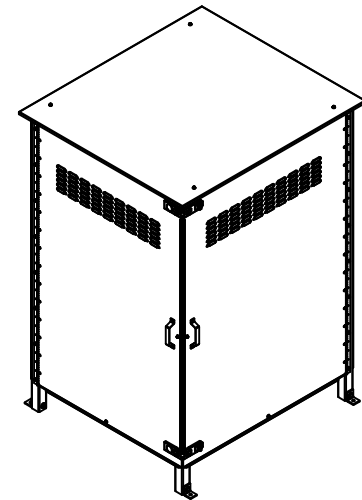
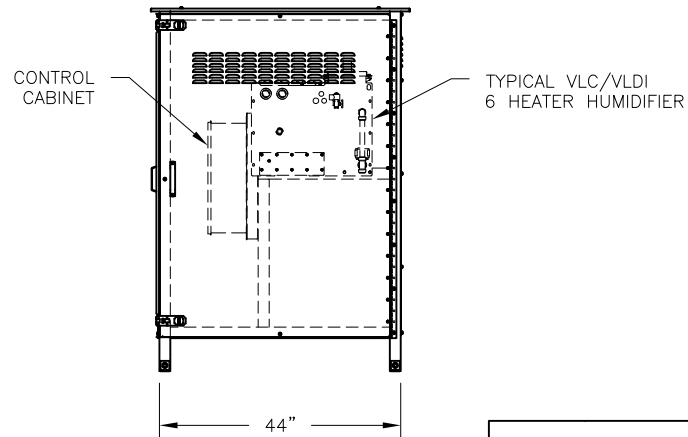
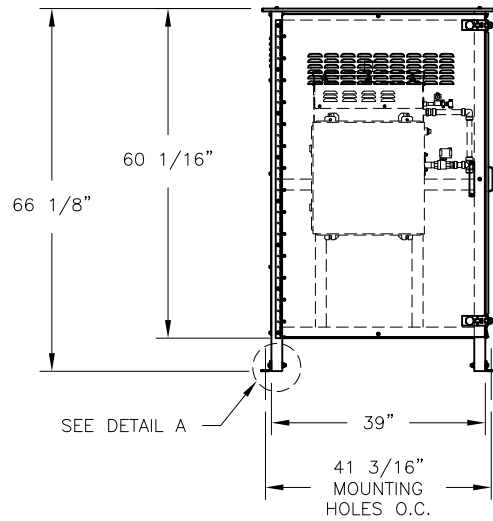
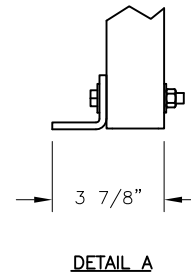
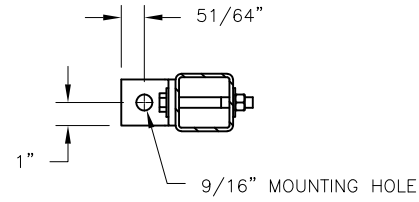
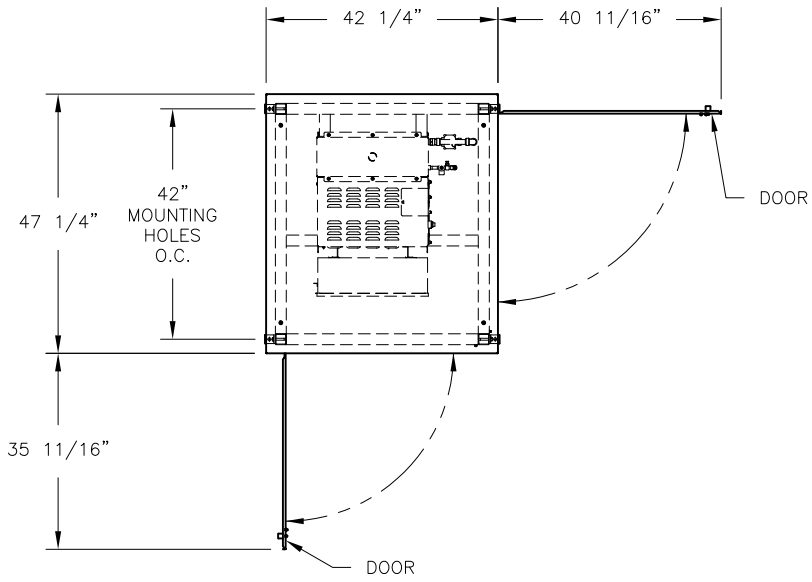


CONFIDENTIAL

DATE	REV	RECORD	DR
2/23	A	SUBMITTAL	JK



	VLC 6 HEATER WEATHER COVER	
	MAT'L:	P/N
	SCALE: 1:35	GENERIC SUBMITTAL
	DRAWN BY: JK	
	DATE: 2/15/23	