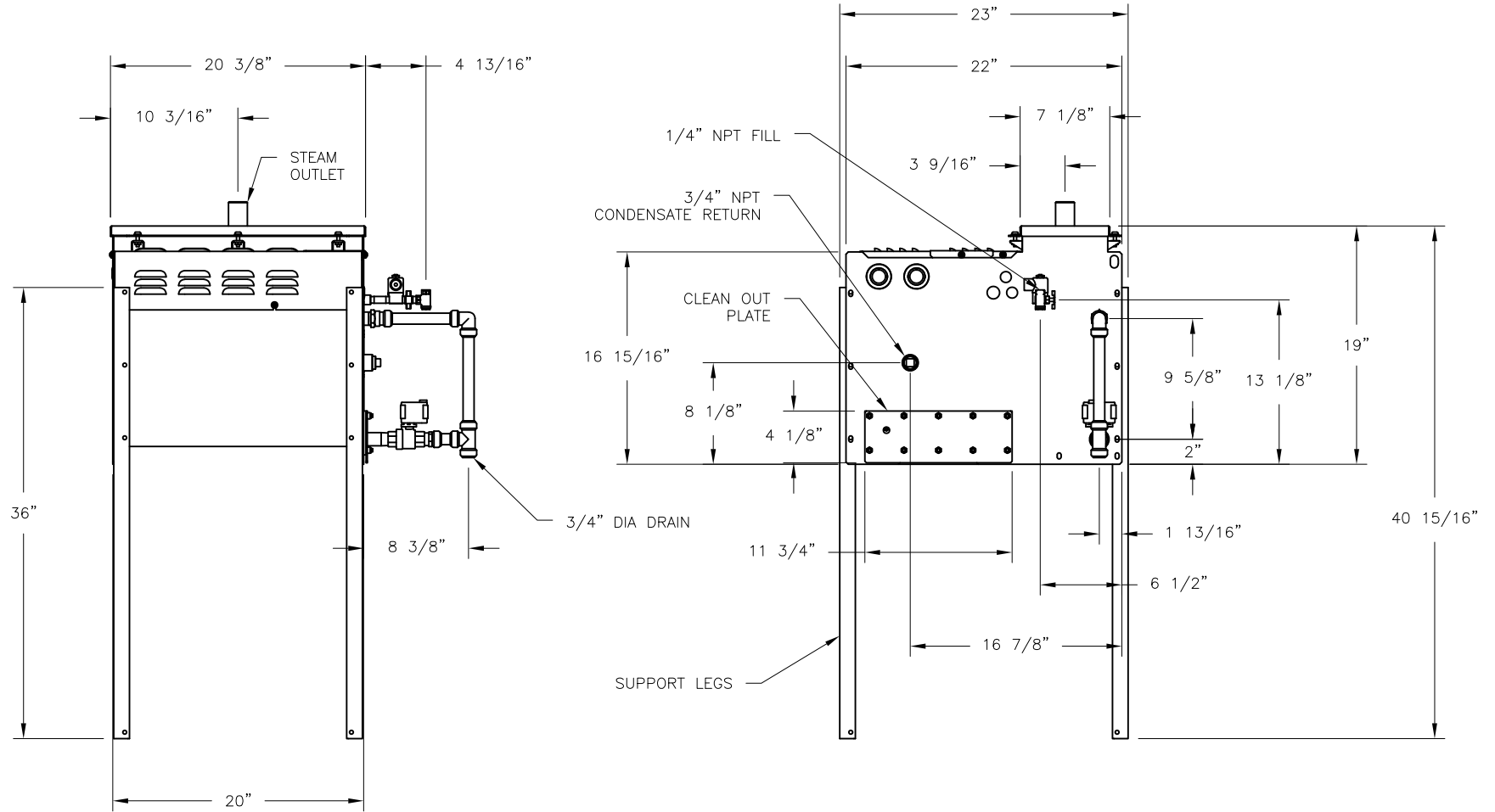



CONFIDENTIAL

DATE	REV	RECORD	DR
8/21	A	SUBMITTAL	JK
8/22	B	SUBMITTAL	JK



		VLC 6 HEATER	
		MAT'L:	
SCALE: 1:13	P/N	GENERIC SUBMITTAL	
DRAWN BY: JK			
DATE: 8/5/21			