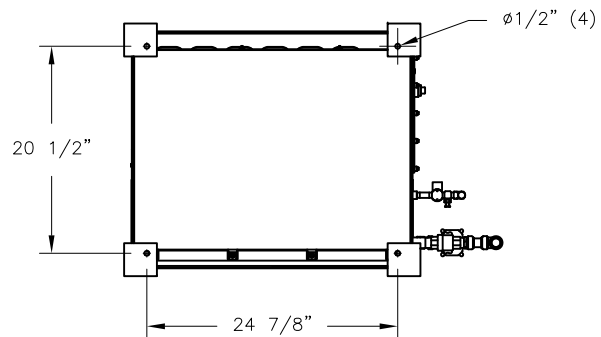
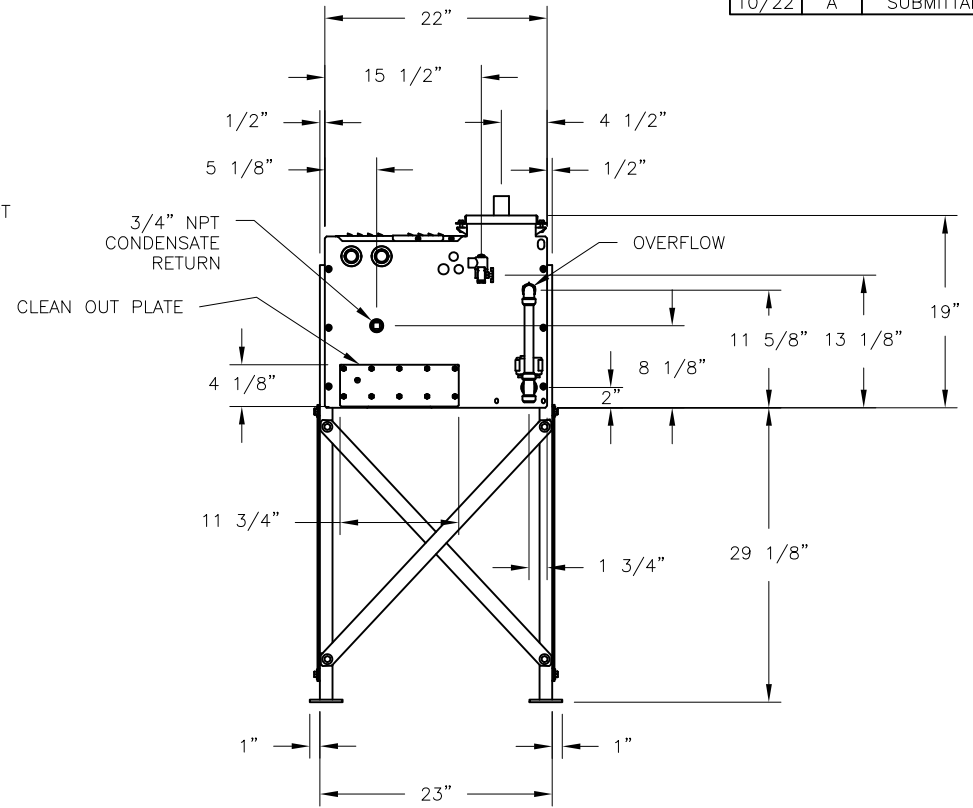
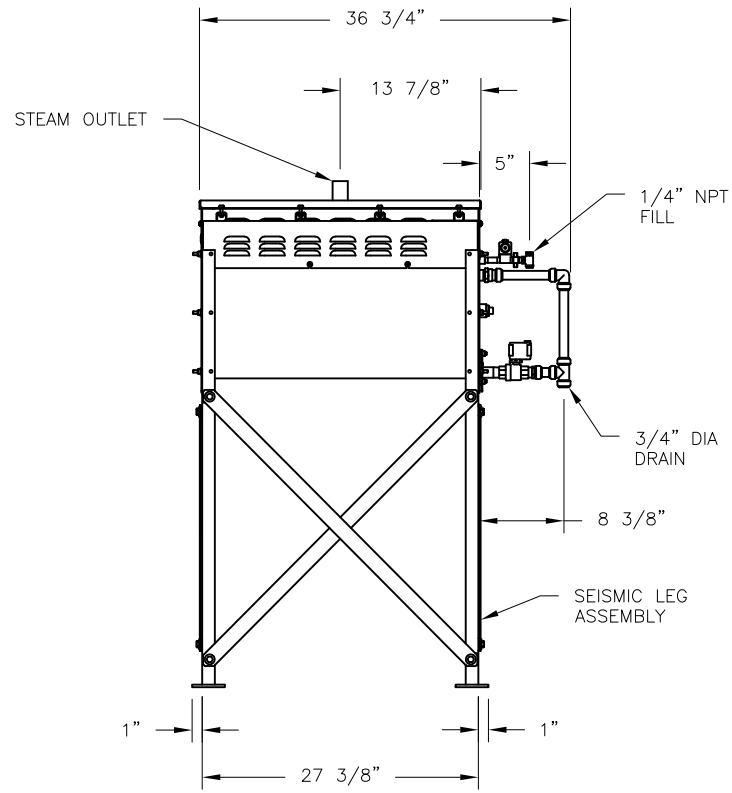


CONFIDENTIAL

DATE	REV	RECORD	DR
10/22	A	SUBMITTAL	JK



	VLC 9 HEATER SEISMIC LEGS	
	MAT'L:	
	SCALE: 1:19	P/N
	DATE: 10/13/22	GENERIC SUBMITTALS