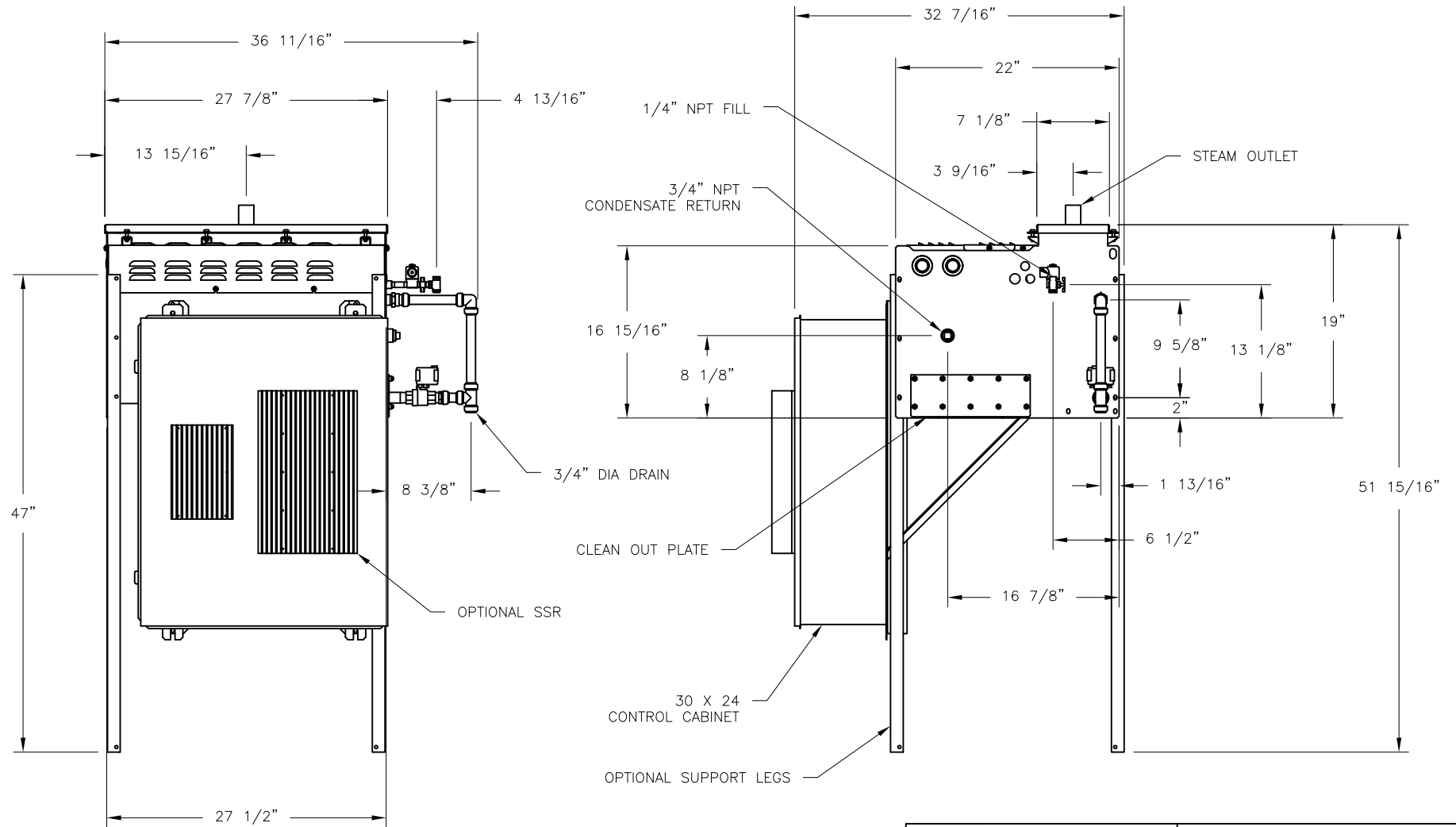


CONFIDENTIAL

DATE	REV	RECORD	DR
7/22	A	SUBMITTAL	JK



	VLC 9 HEATER X-LARGE CABINET	
	MAT'L:	
	SCALE: 1:15	P/N
	DRAWN BY: JK	GENERIC SUBMITTAL
DATE: 7/21/22		