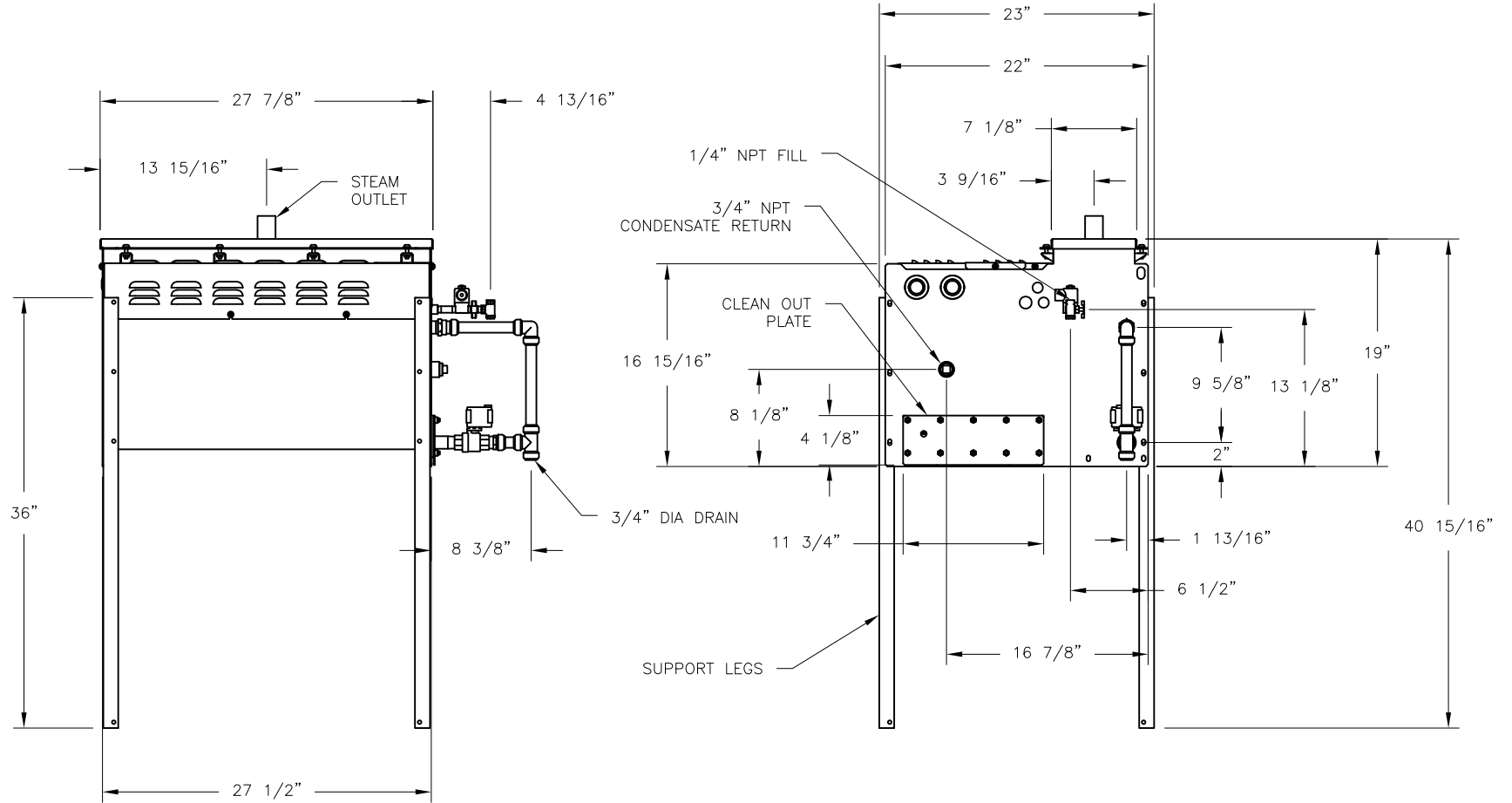



CONFIDENTIAL

DATE	REV	RECORD	DR
8/21	A	SUBMITTAL	JK
8/22	B	SUBMITTAL	JK



		VLC 9 HEATER	
		MATERIAL:	
SCALE: 1:14	DRAWN BY: JK		P/N GENERIC SUBMITTAL
DATE: 8/5/21			