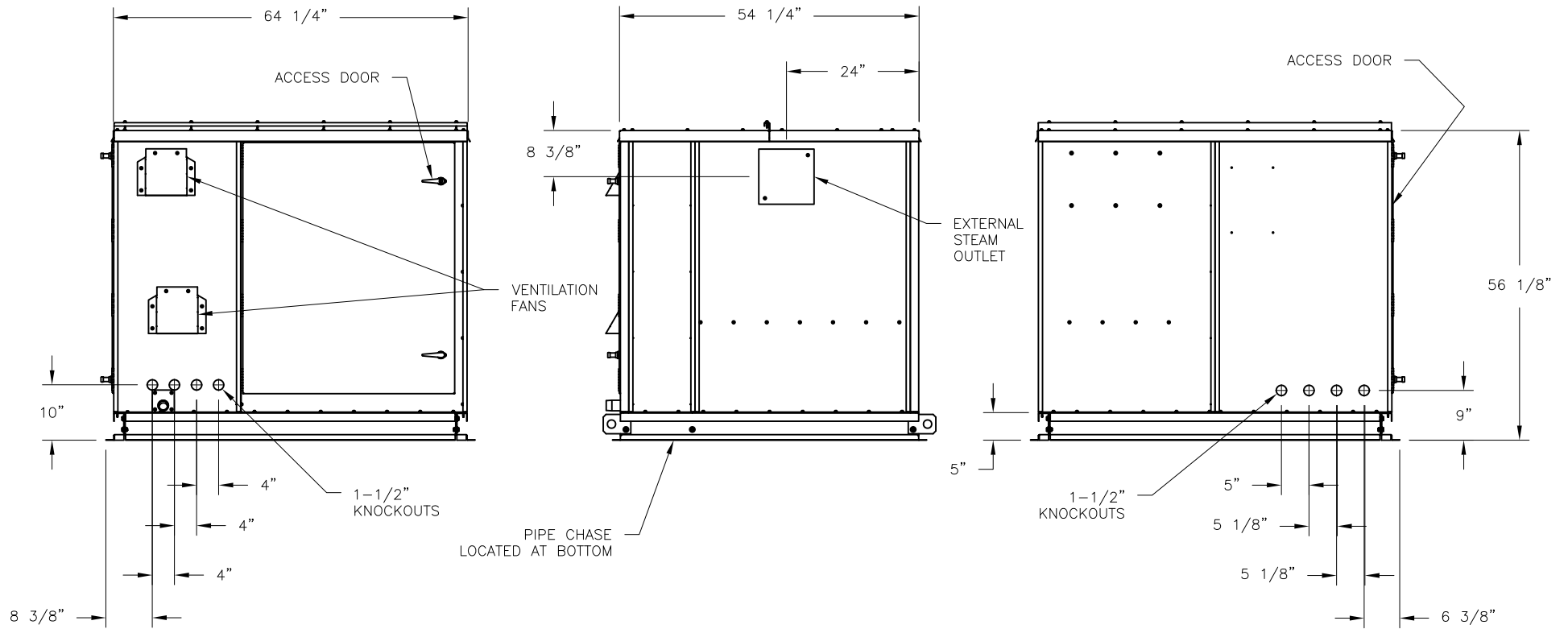


CONFIDENTIAL

DATE	REV	RECORD	DR
1/23	A	SUBMITTAL	JK



	VLC LARGE OUTDOOR ENCLOSURE (9-12 HTR)	
	MAT'L:	
	SCALE: 1:28	P/N
	DRAWN BY: JK	GENERIC ENCLOSURE
	DATE: 1/5/23	