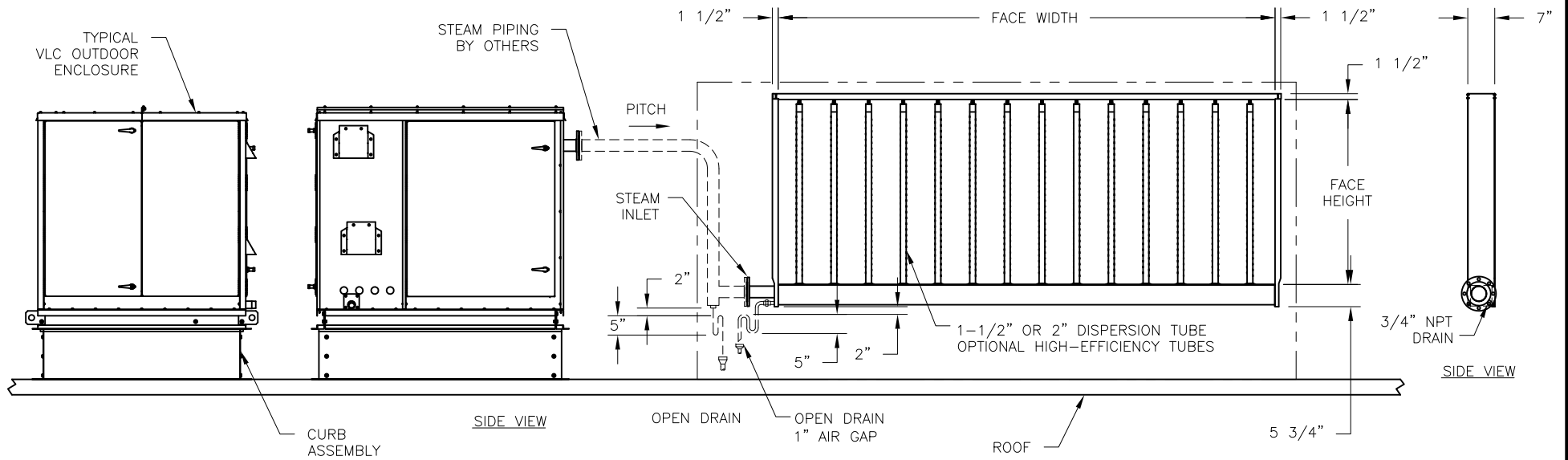


CONFIDENTIAL

DATE	REV	RECORD	DR
9/24	A	SUBMITTAL	JK



	VLC OUTDOOR WITH ULTRA-SORB MP	
	MAT'L:	
	SCALE: 1:40	P/N
	DRAWN BY: JK	GENERIC SUBMITTAL
DATE: 9/11/24		