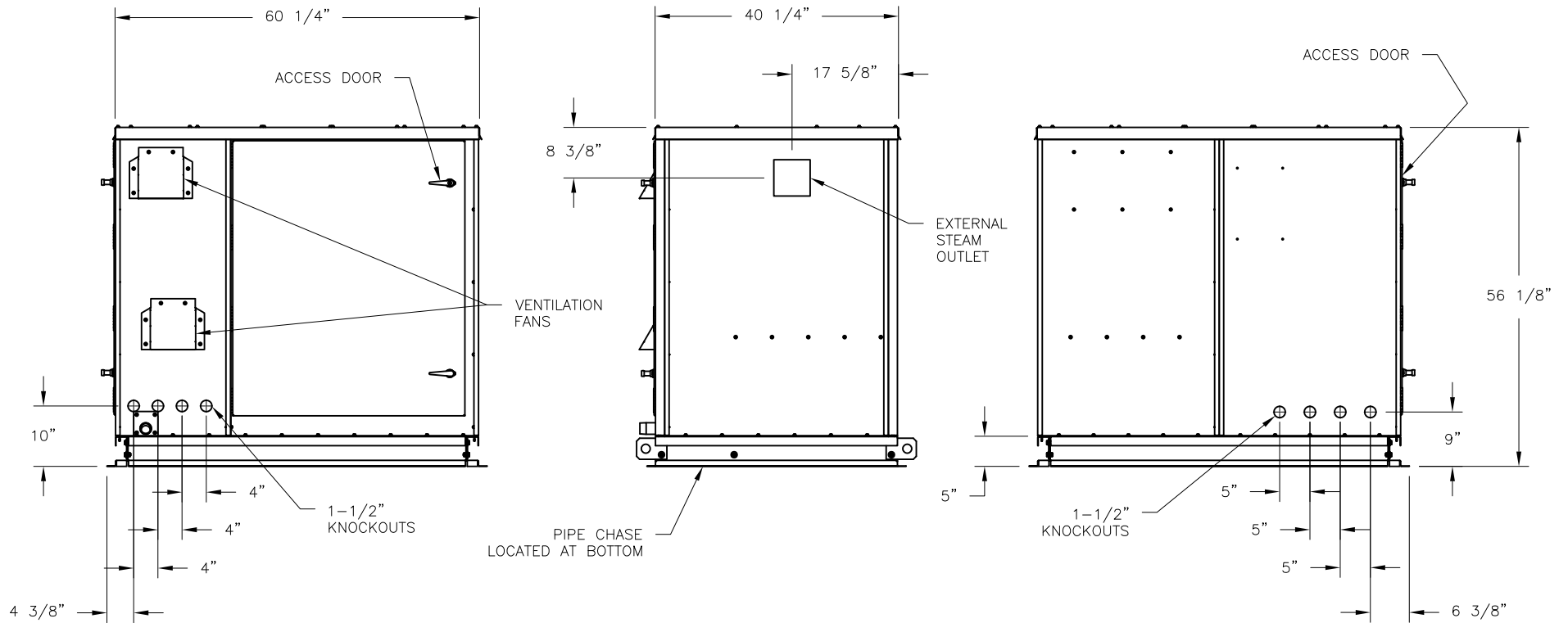


CONFIDENTIAL

DATE	REV	RECORD	DR
1/23	A	SUBMITTAL	JK



	VLC SMALL OUTDOOR ENCLOSURE (1-6 HTR)	
	MAT'L:	
	SCALE: 1:26	P/N
	DRAWN BY: JK	GENERIC SUBMITTAL
	DATE: 1/5/23	