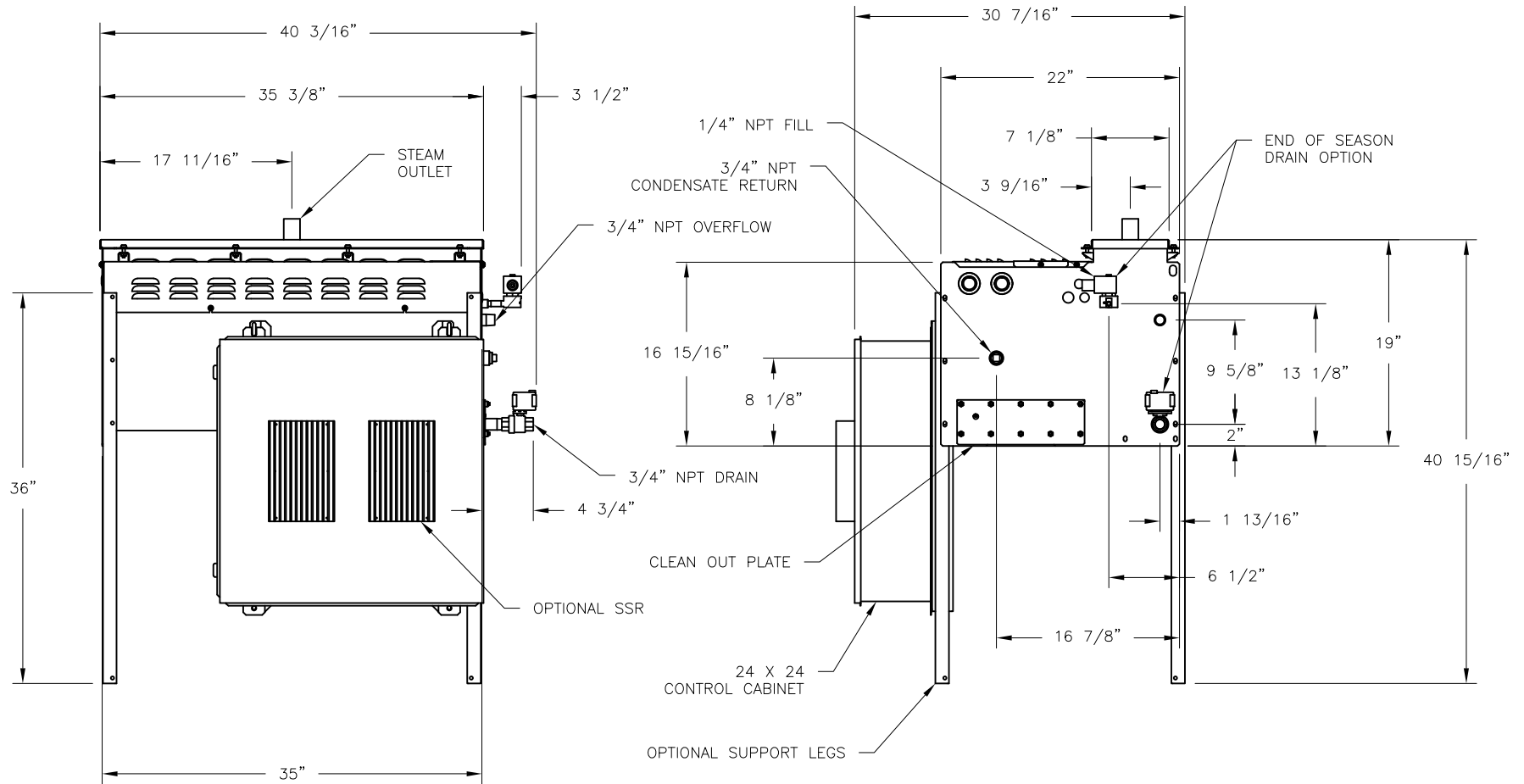



CONFIDENTIAL

DATE	REV	RECORD	DR
10/22	A	SUBMITTAL	JK



		VLDI 12 HEATER END OF SEASON DRAIN LARGE CABINET	
		MAT'L:	
SCALE: 1:15	P/N		GENERIC SUBMITTAL
DRAWN BY: JK	DATE: 10/4/22		