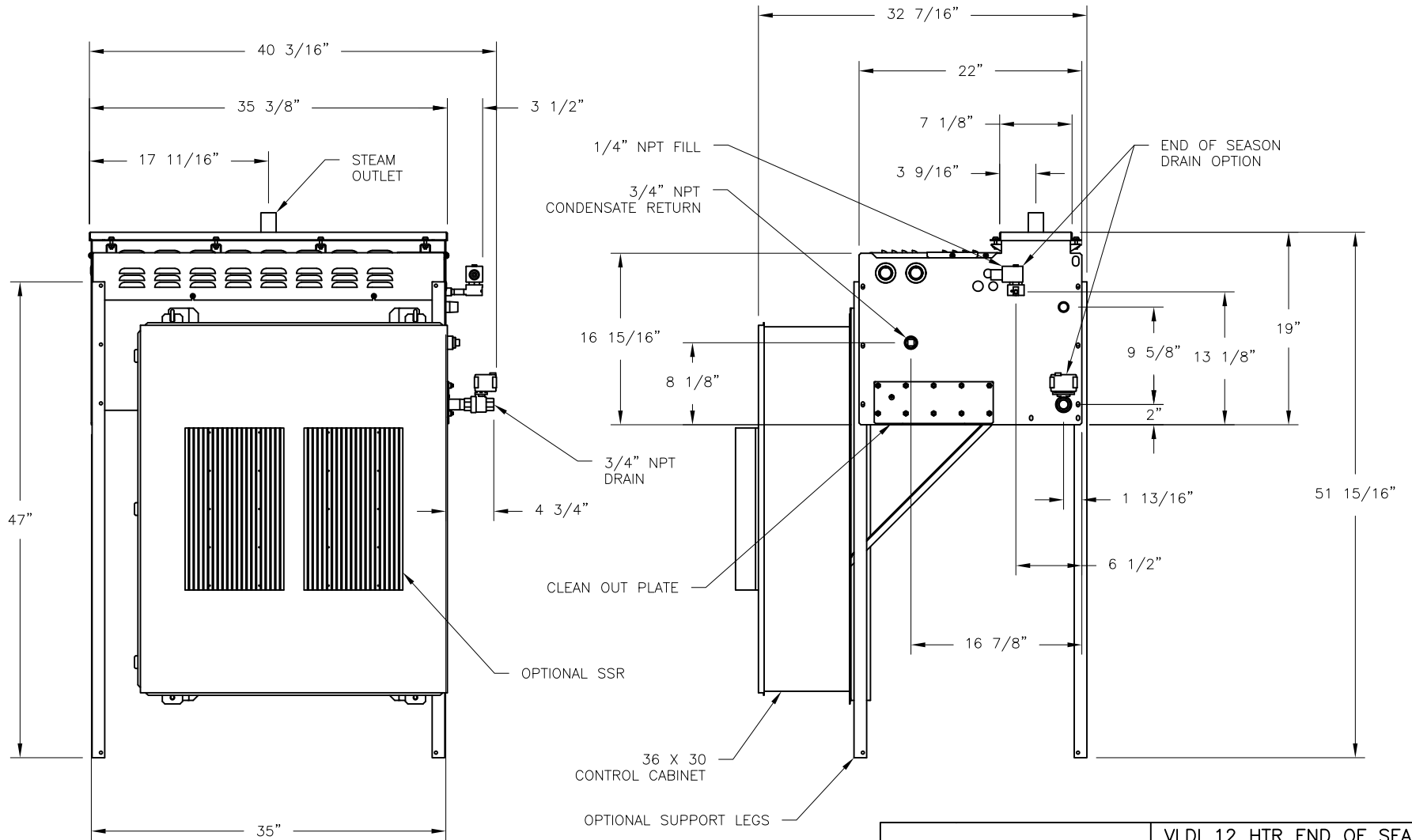



CONFIDENTIAL

DATE	REV	RECORD	DR
10/22	A	SUBMITTAL	JK



		VLDI 12 HTR END OF SEASON DRAIN XX-LARGE CABINET	
		MAT'L:	
SCALE:	1:15	P/N	
DRAWN BY:	JK	GENERIC SUBMITTAL	
DATE:	10/4/22		