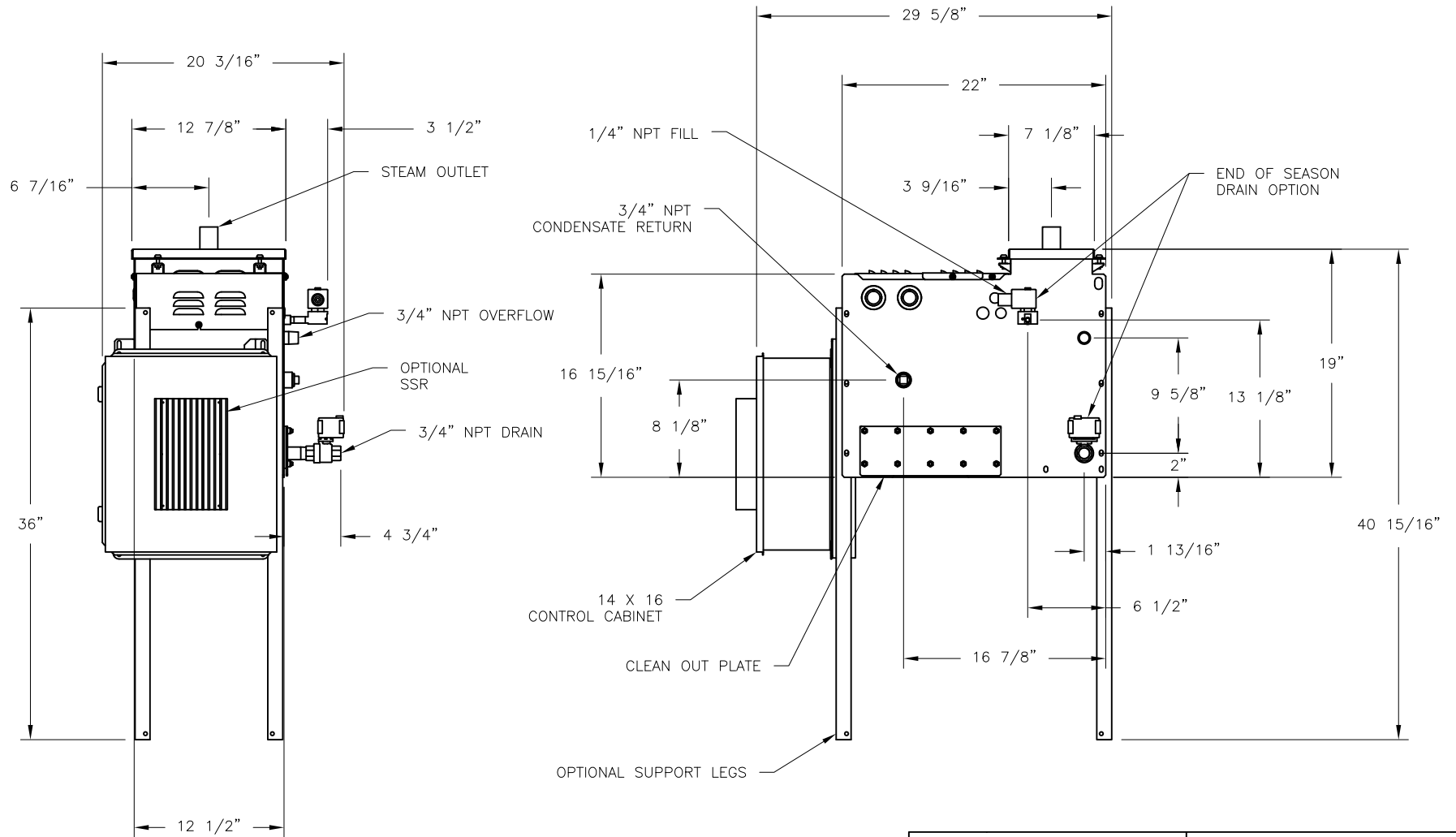


CONFIDENTIAL

DATE	REV	RECORD	DR
10/22	A	SUBMITTAL	JK



		VLDI 3 HEATER END OF SEASON DRAIN SMALL CABINET	
		MAT'L:	
SCALE:	1:13	P/N	GENERIC SUBMITTAL
DRAWN BY:	JK		
DATE:	10/4/22		