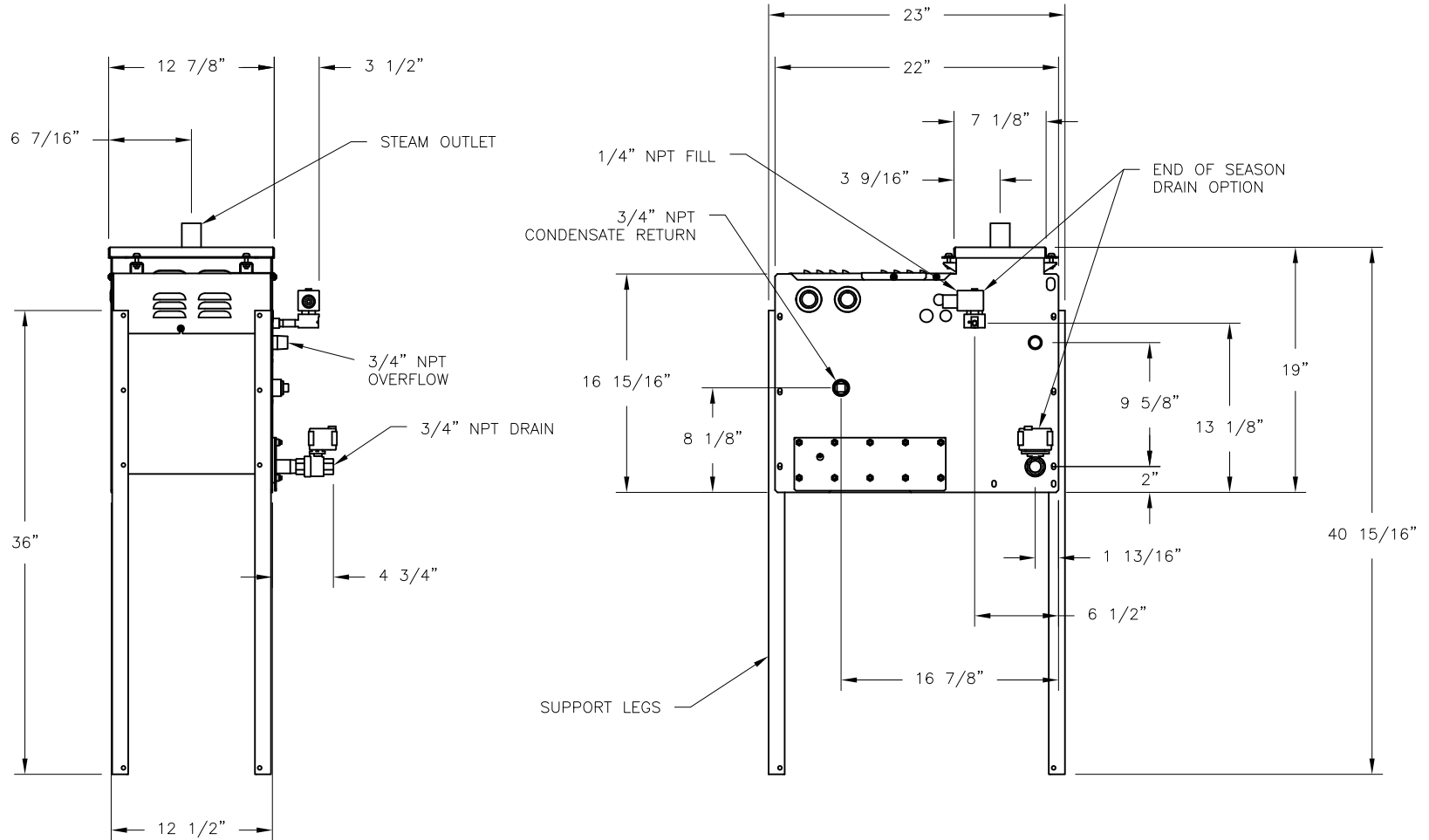


CONFIDENTIAL

DATE	REV	RECORD	DR
10/22	A	SUBMITTAL	JK



		VLDI 3 HEATER END OF SEASON DRAIN	
		MAT'L:	
SCALE: 1:13	P/N	GENERIC SUBMITTAL	
DRAWN BY: JK			
DATE: 10/3/22			