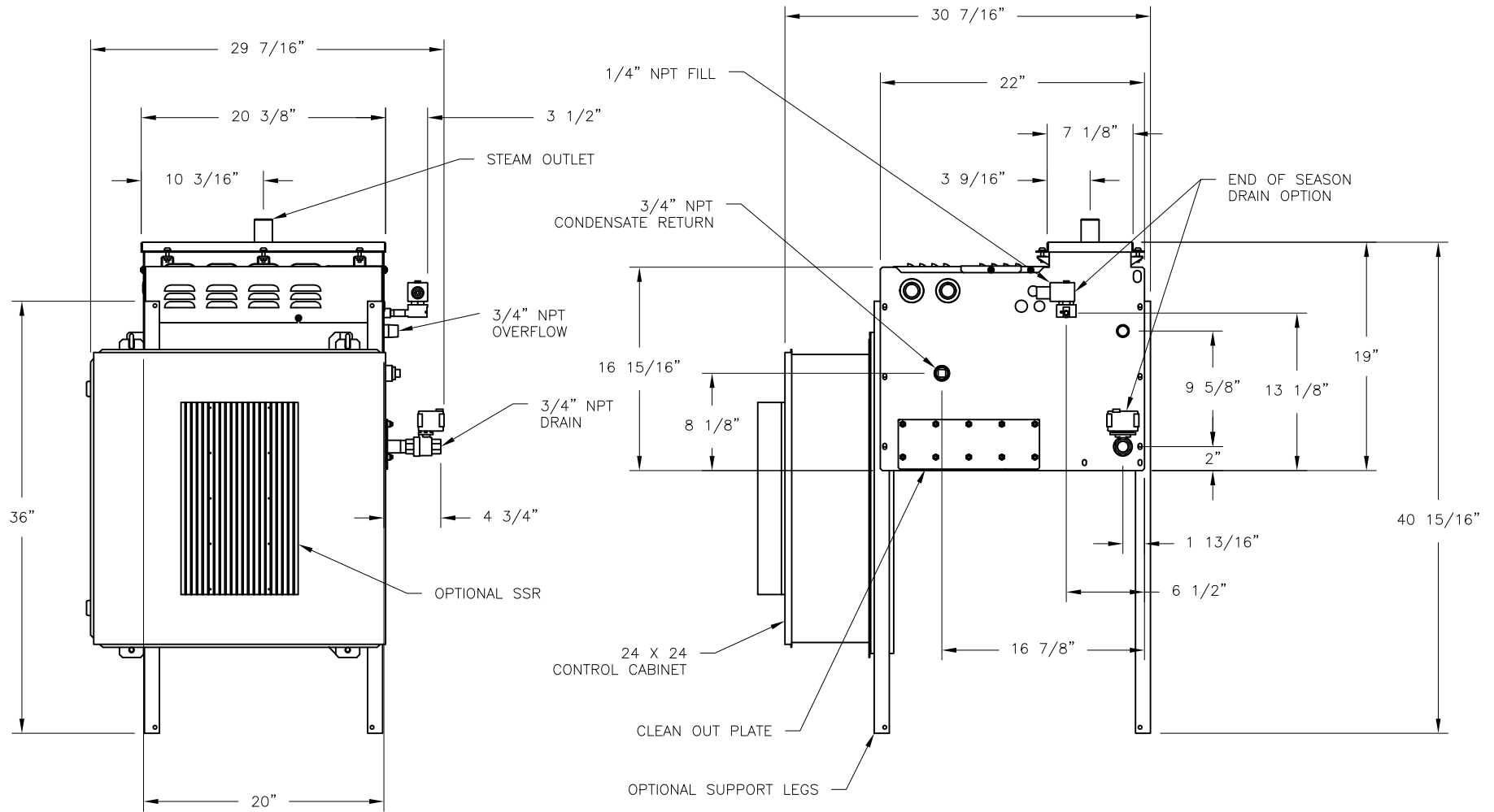


CONFIDENTIAL

DATE	REV	RECORD	DR
10/22	A	SUBMITTAL	JK



	VLDI 6 HEATER END OF SEASON DRAIN LARGE CABINET	
	MAT'L:	
	SCALE: 1:13	P/N
	DATE: 10/4/22	GENERIC SUBMITTAL