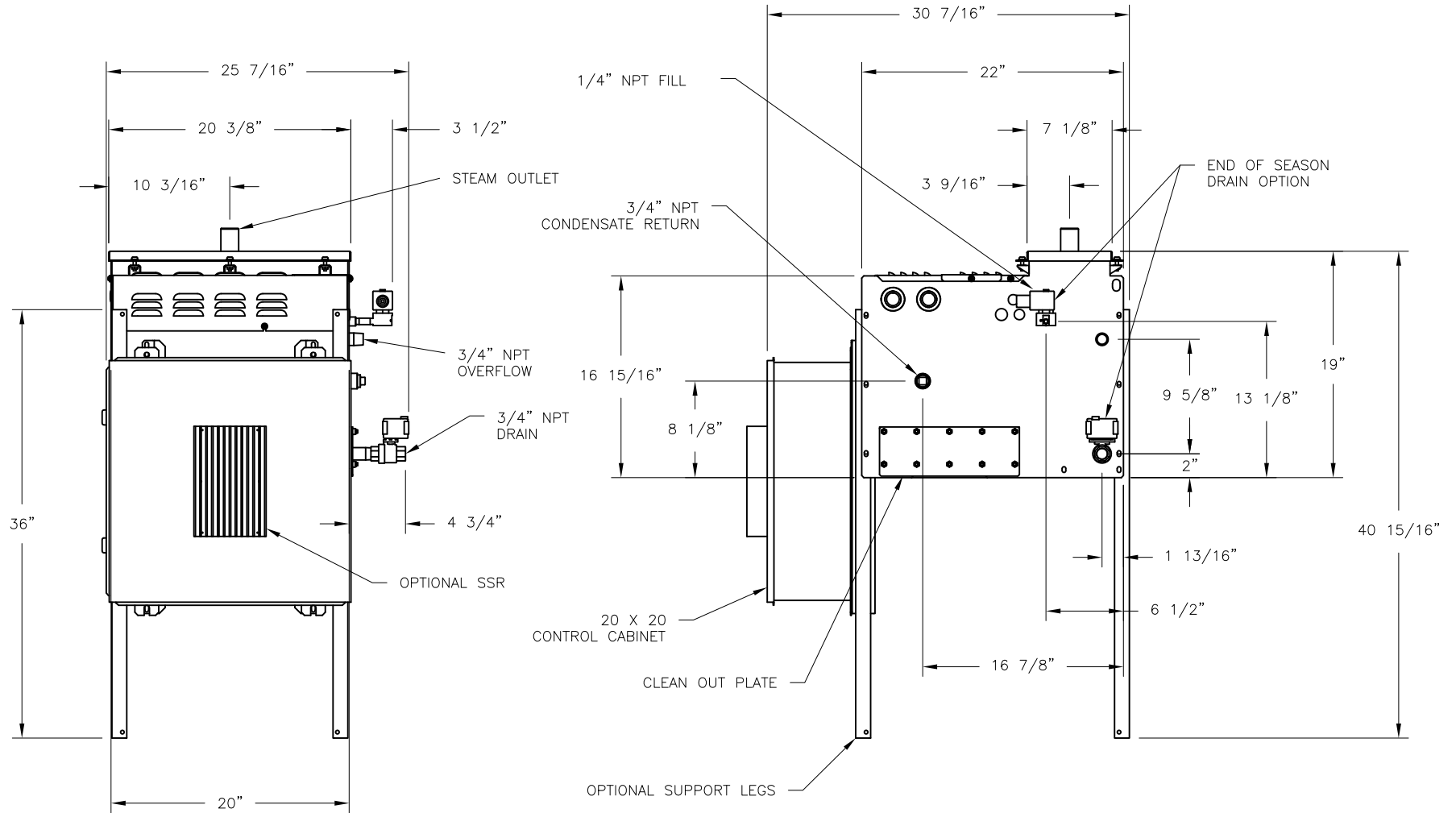


CONFIDENTIAL

| DATE  | REV | RECORD    | DR |
|-------|-----|-----------|----|
| 10/22 | A   | SUBMITTAL | JK |



|  |  |                   |
|--|--|-------------------|
|  | VLDI 6 HEATER END OF SEASON DRAIN MEDIUM CABINET |                   |
|  | MAT'L:   |                   |
|  | SCALE: 1:13                                      | P/N               |
|  | DATE: 10/4/22                                    | GENERIC SUBMITTAL |