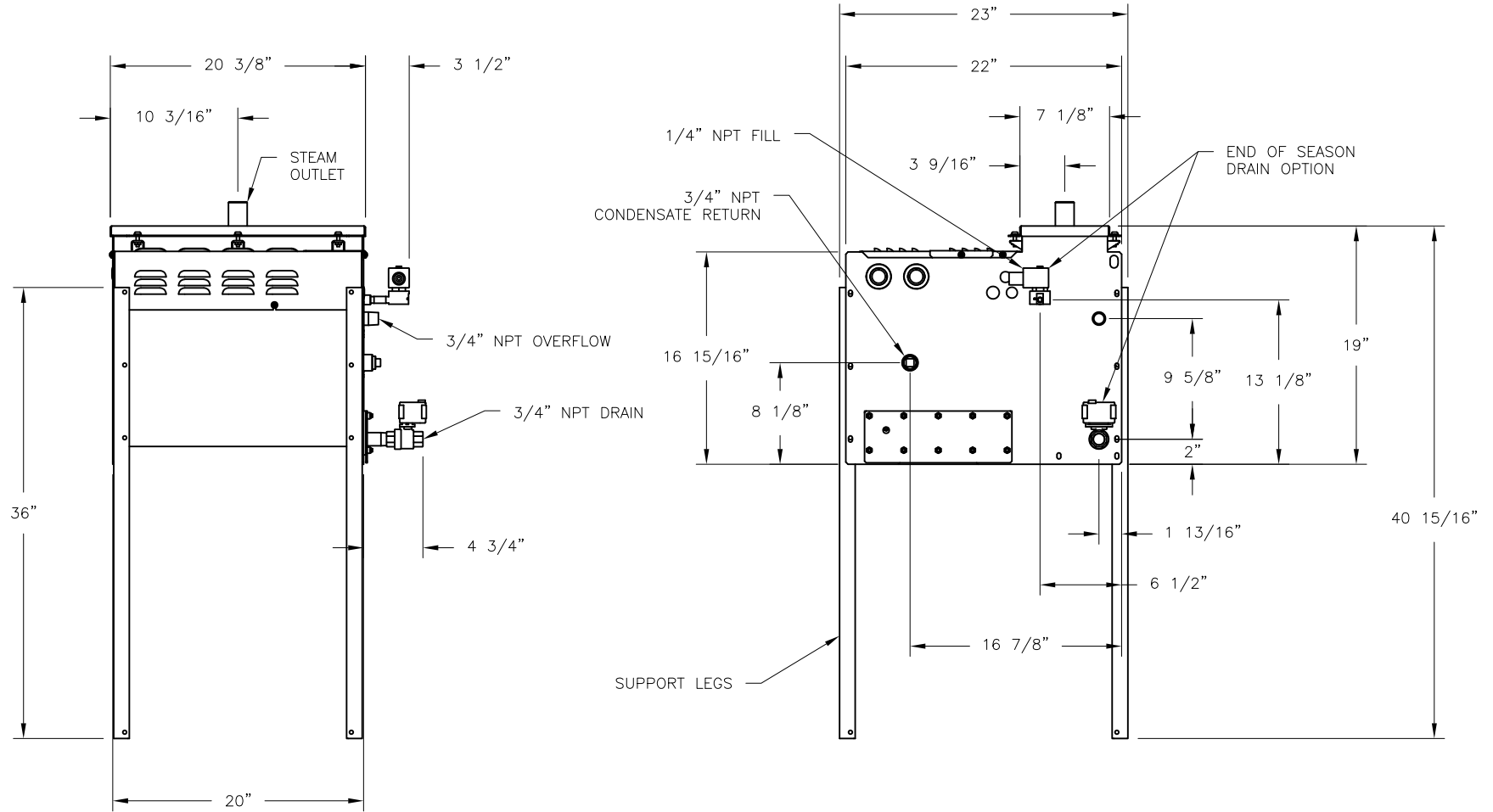



CONFIDENTIAL

| DATE | REV | RECORD | DR |
|-------|-----|-----------|----|
| 10/22 | A | SUBMITTAL | JK |



| | | | |
|---|---------|-----------------------------------|--|
|  | | VLDI 6 HEATER END OF SEASON DRAIN | |
| | | MAT'L: | |
| SCALE: | 1:13 | P/N | |
| DRAWN BY: | JK | GENERIC SUBMITTAL | |
| DATE: | 10/3/22 | | |