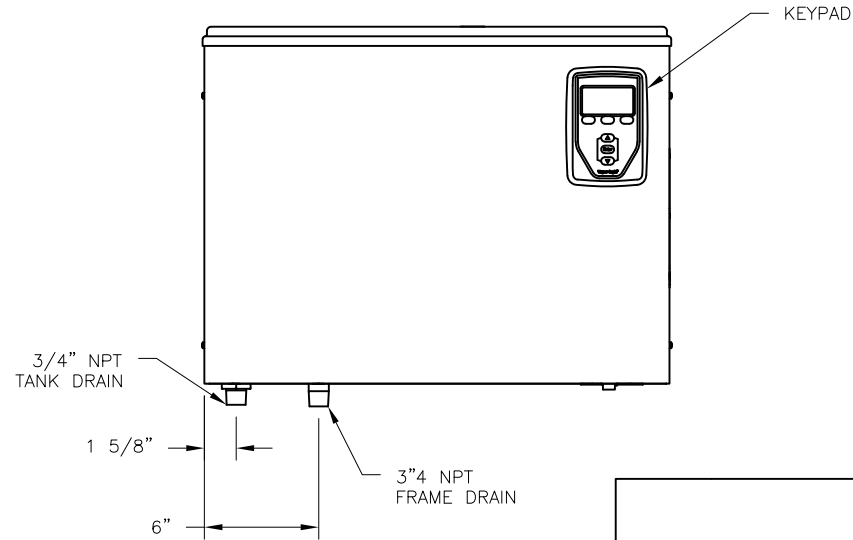
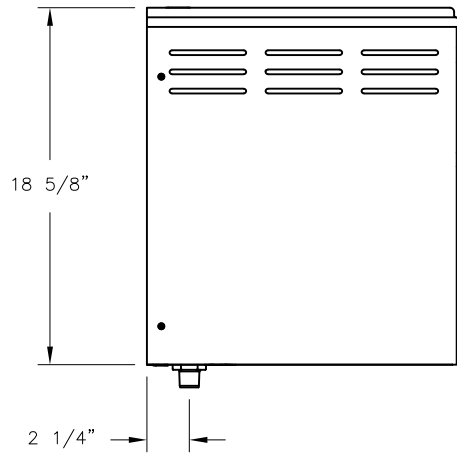
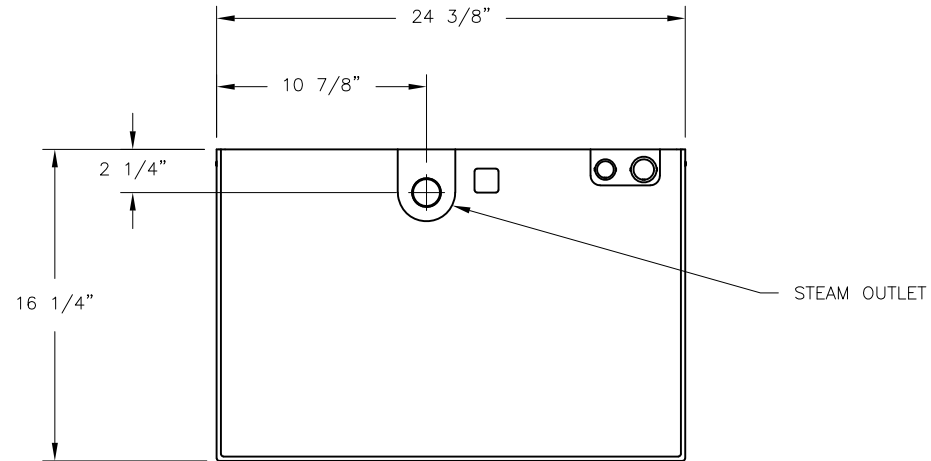


CONFIDENTIAL

DATE	REV	RECORD	DR
8/21	A	SUBMITTAL	JK



	VAPORMIST 2-34 KW	
	MAT'L:	
	SCALE: 1:10	P/N
	DATE: 8/5/21	GENERIC SUBMITTAL