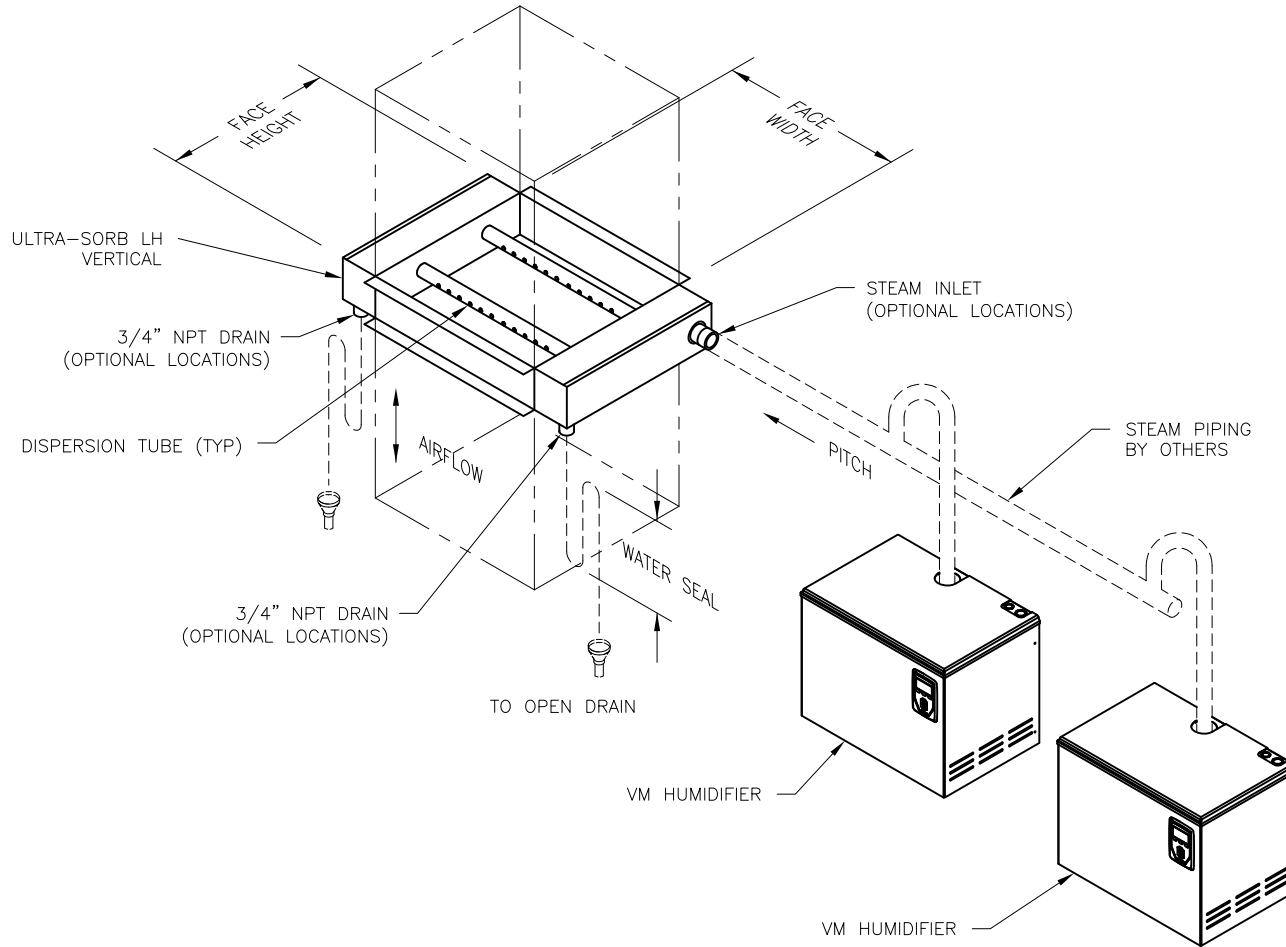



CONFIDENTIAL

DATE	REV	RECORD	DR
11/21	A	SUBMITTAL	JK



		VM (2) US-LH VERTICAL	
		MAT'L:	
SCALE: 1:23	P/N		GENERIC SUBMITTAL
DRAWN BY: JK	DATE: 9/6/19		