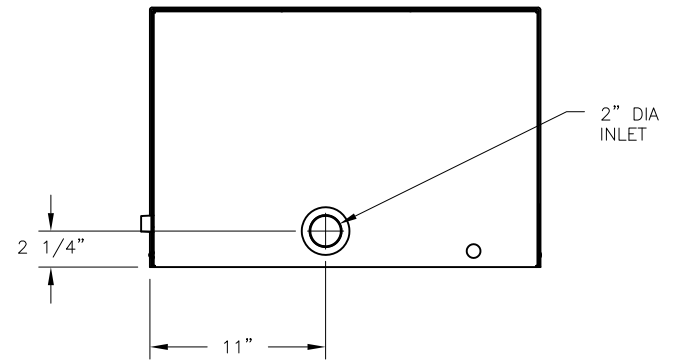
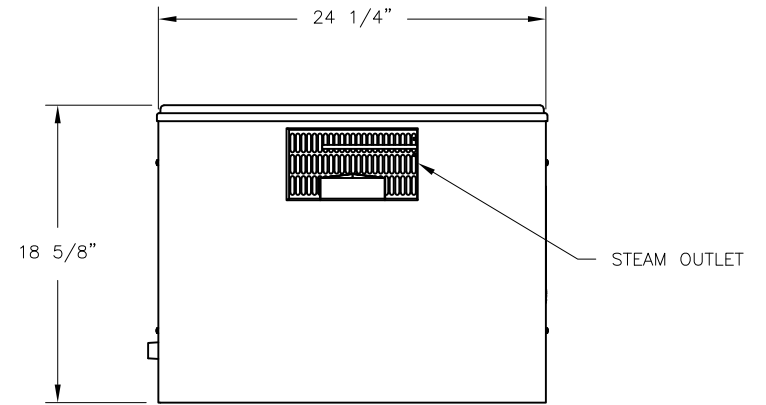
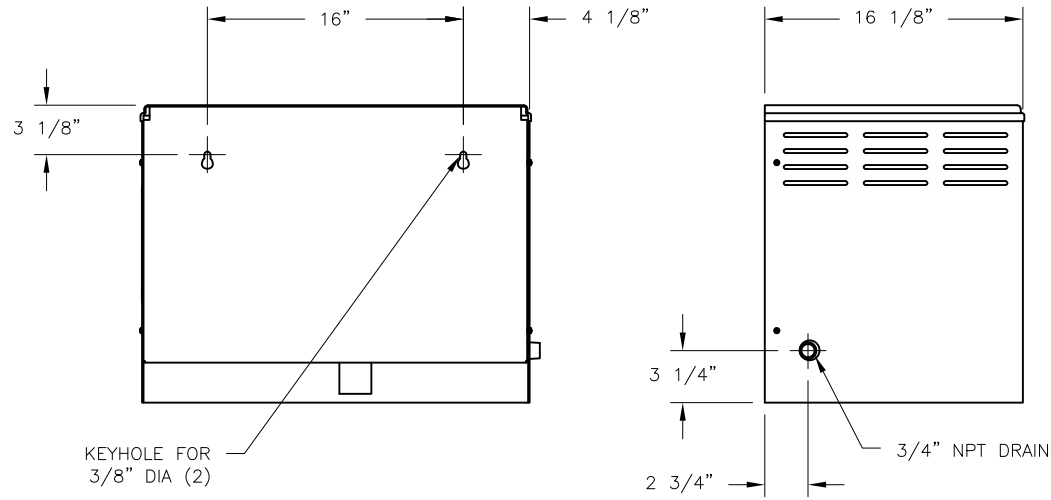



CONFIDENTIAL

DATE	REV	RECORD	DR
8/21	A	SUBMITTAL	JK



	VM SERIES SDU-EXTERNAL 2" DIA	
	MAT'L:	
	SCALE: 1:12	P/N
	DRAWN BY: JK	GENERIC SUBMITTAL
	DATE: 8/5/21	