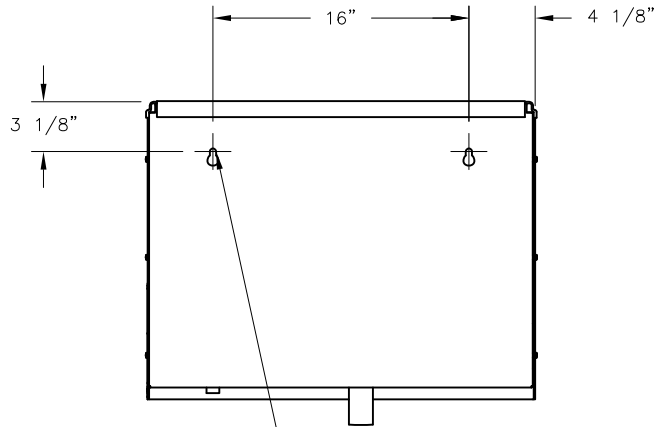
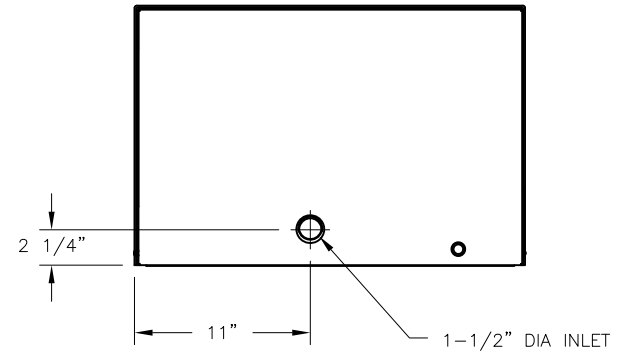
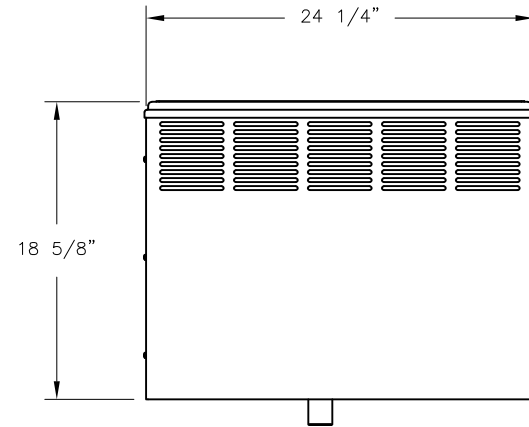
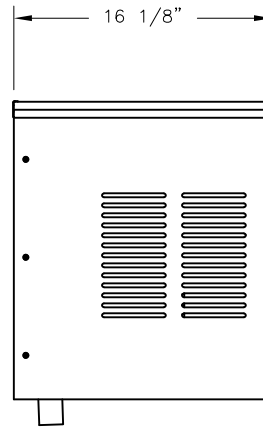


CONFIDENTIAL

DATE	REV	RECORD	DR
8/21	A	SUBMITTAL	JK



KEYHOLE FOR
3/8" DIA (2)



	VM SERIES SDU-I	
	MAT'L:	
	SCALE: 1:12	P/N
	DATE: 8/5/21	GENERIC SUBMITTAL