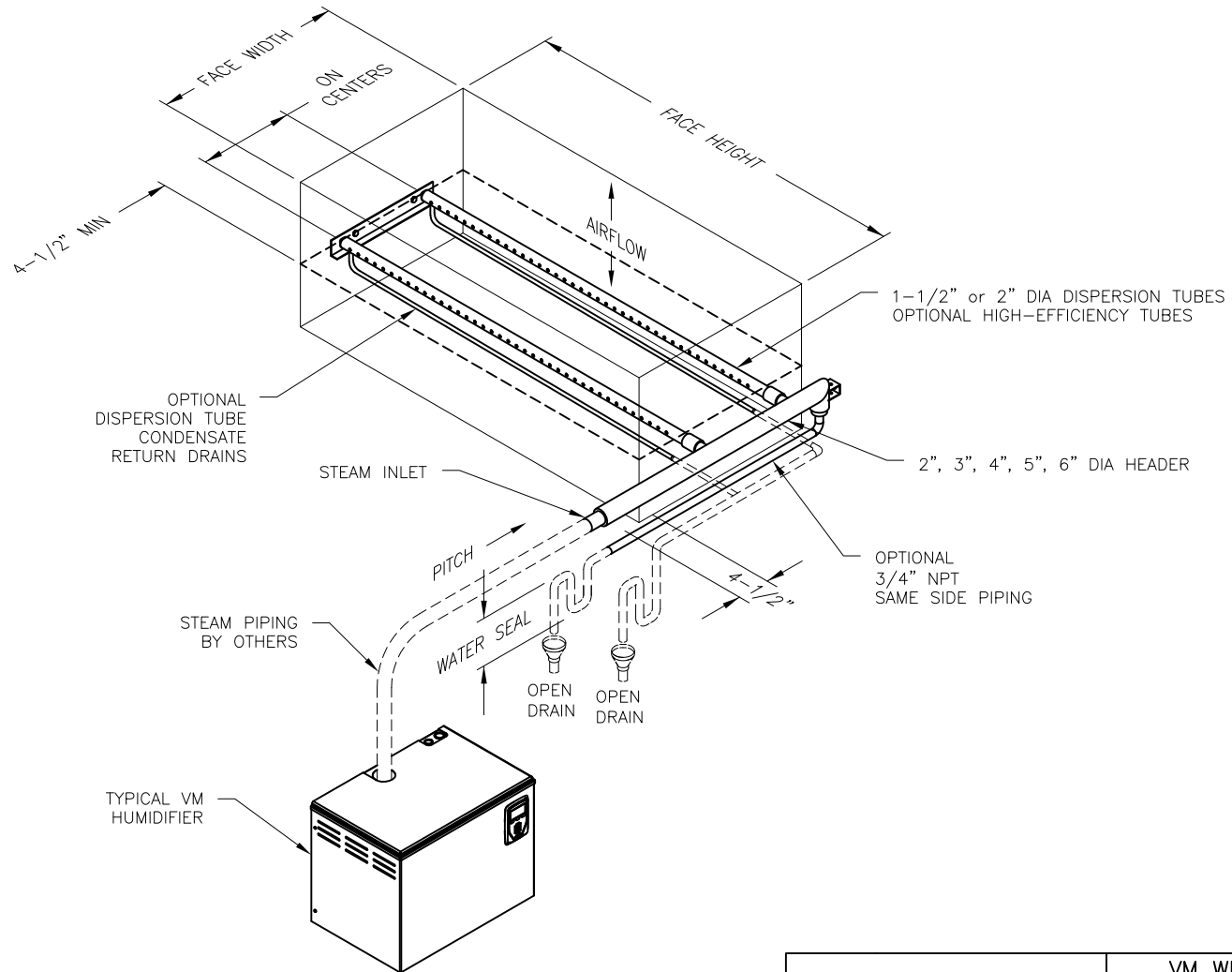



CONFIDENTIAL

DATE	REV	RECORD	DR
9/24	A	SUBMITTAL	JK



		VM WITH RAPID-SORB VERTICAL AIRFLOW	
		MAT'L:	P/N
SCALE: 1:23	DRAWN BY: JK		GENERIC SUBMITTAL
DATE: 9/12/24			