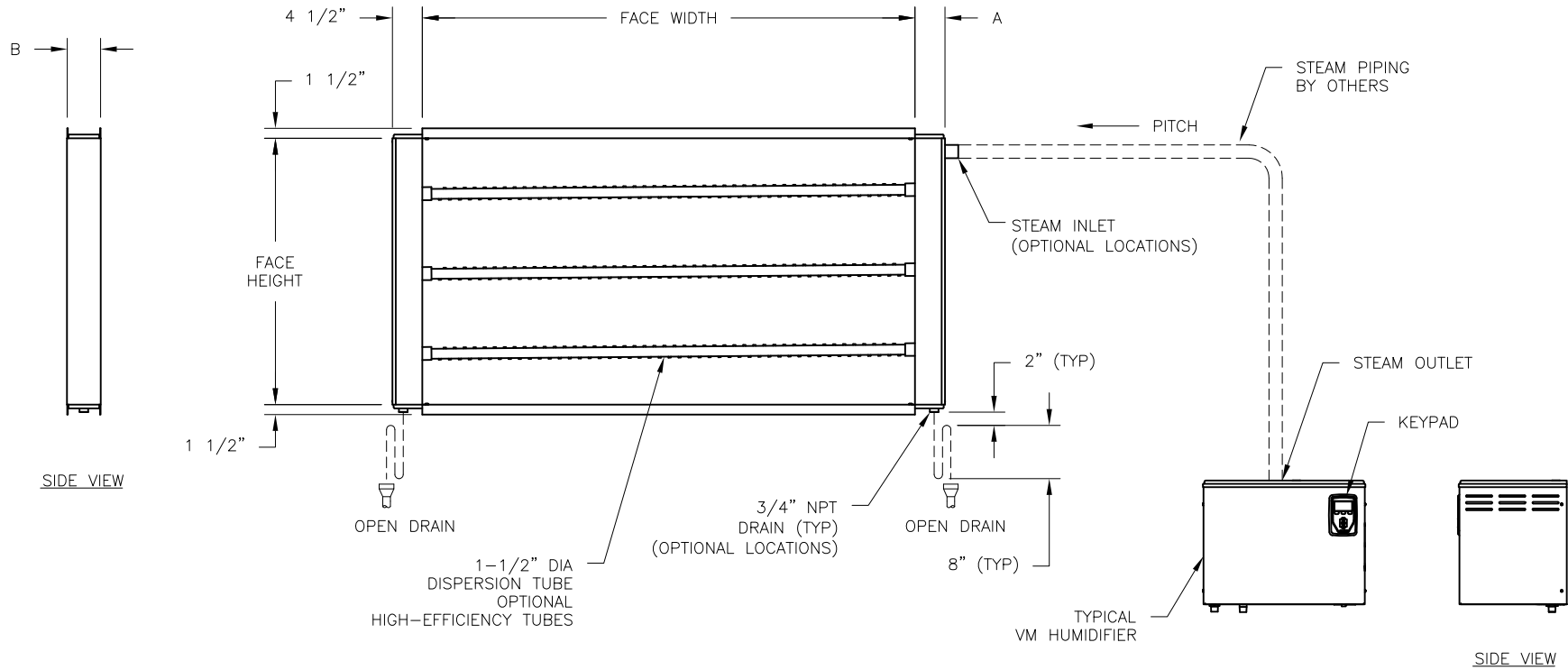


CONFIDENTIAL

| DATE | REV | RECORD    | DR |
|------|-----|-----------|----|
| 9/24 | A   | SUBMITTAL | JK |



| A      | B  | SUPPLY HEADER |
|--------|----|---------------|
| 4-1/2" | 5" | 3" DIA        |
| 5-1/2" | 5" | 4" DIA        |
| 6-1/2" | 6" | 5" DIA        |
| 7-1/2" | 7" | 6" DIA        |

|  |                       |                   |
|--|-----------------------|-------------------|
|  | VM WITH ULTRA-SORB LH |                   |
|  | MAT'L:                |                   |
|  | SCALE: 1:26           | P/N               |
|  | DRAWN BY: JK          | GENERIC SUBMITTAL |
|  | DATE: 9/12/24         |                   |