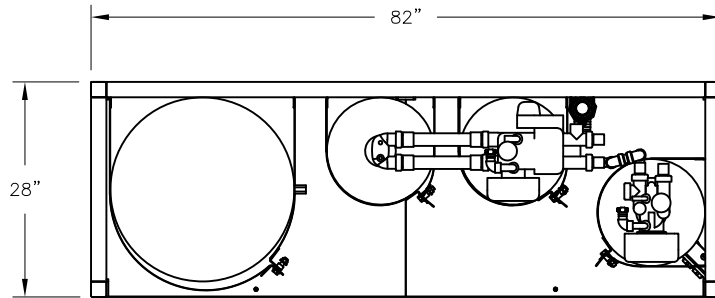


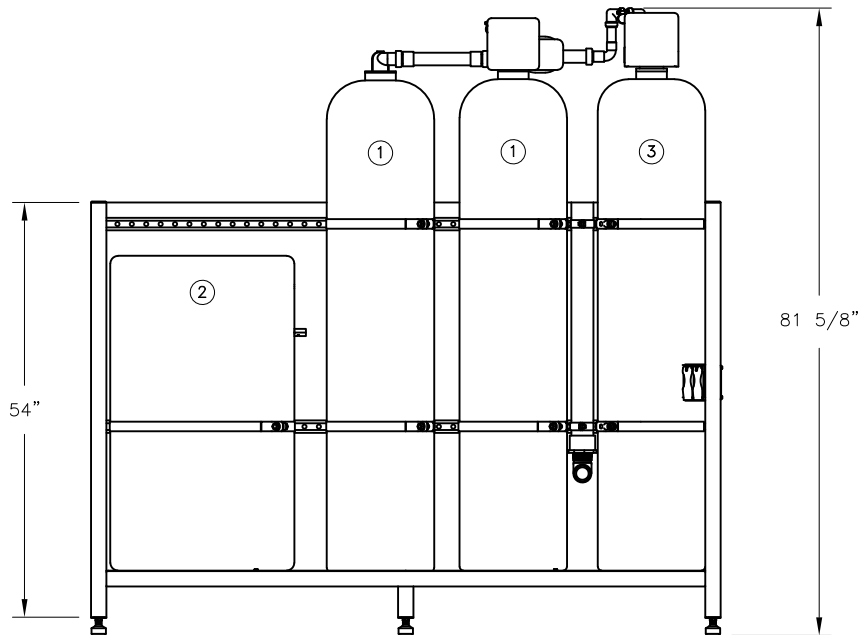
CONFIDENTIAL

DATE	REV	RECORD	DR
8/22	A	SUBMITTAL	JK



DUPLEX WATER SOFTENER AND BRINE TANK 1" NPT CONNECTIONS			
EQUIPMENT	TOTAL CAPACITY	DIMENSION	ELECTRIC SUPPLY
① RESIN TANKS (2)	6.0 CU. FT.	14"φ x 65"H EA.	120 VOLTS 5 AMP. OUTLET
② BRINE TANK		24"φ x 41"H	

③ DECHLORINATOR 1" NPT CONNECTIONS		
MODEL #	DC 1465	ELECTRIC SUPPLY
CAPACITY	3.0 CU. FT.	120 VOLTS 5 AMP. OUTLET
DIMENSION	14"φ X 65"	



		WD1465 & DC1465 SKID	
		MAT'L:	
SCALE: 1:25		P/N	
DRAWN BY: JK		GENERIC SUBMITTAL	
DATE: 8/15/22			