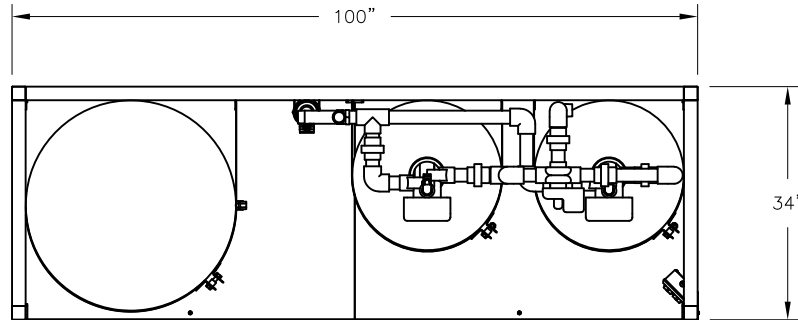
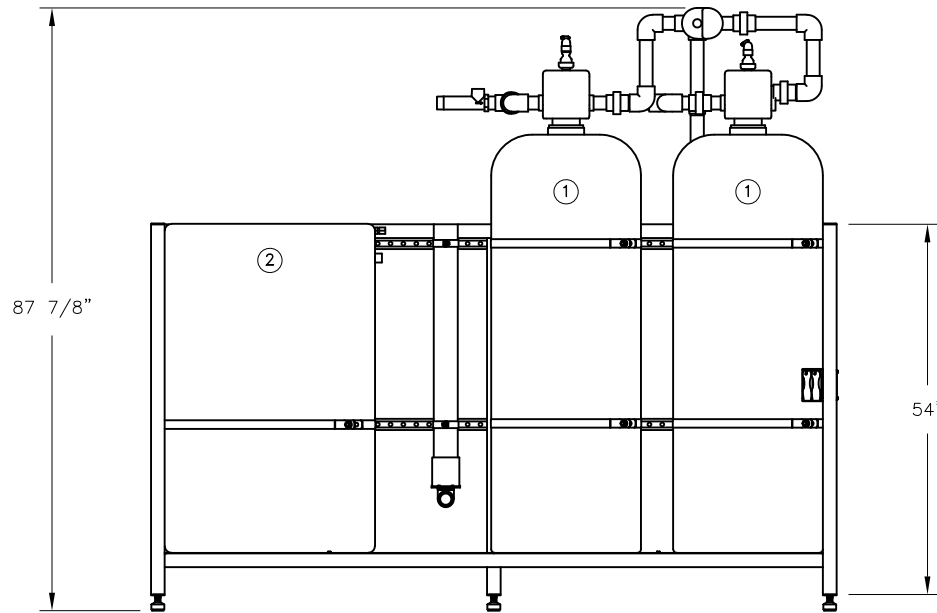


CONFIDENTIAL

| DATE | REV | RECORD | DR |
|------|-----|-----------|----|
| 8/22 | A | SUBMITTAL | JK |



| DUPLEX WATER SOFTENER AND BRINE TANK 1-1/2" NPT CONNECTIONS | | | |
|--|----------------|-----------------|----------------------------|
| EQUIPMENT | TOTAL CAPACITY | DIMENSION | ELECTRIC SUPPLY |
| ① RESIN TANKS (2) | 12.0 CU. FT. | 21"φ x 62"H EA. | 120 VOLTS 5 AMP. OUTLET |
| ② BRINE TANK | | 30"φ x 48"H | |



| | | | |
|--|--|---------------|----------------------|
| | | WD2162 SKID | |
| | | MAT'L: | |
| | | SCALE: 1:28 | P/N |
| | | DRAWN BY: JK | GENERIC SUBMITTAL |
| | | DATE: 8/15/22 | |