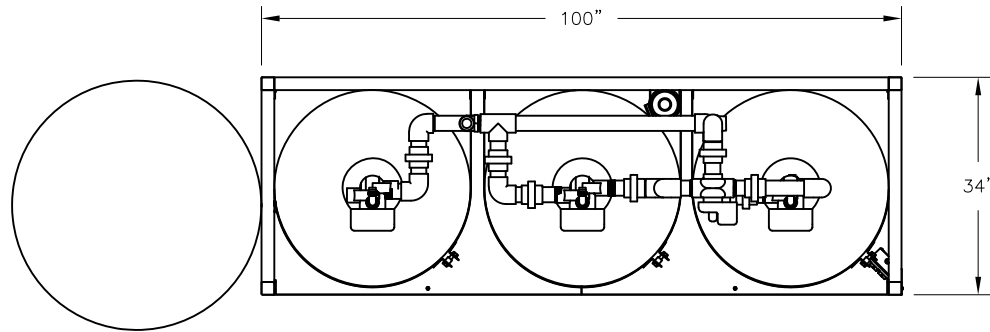


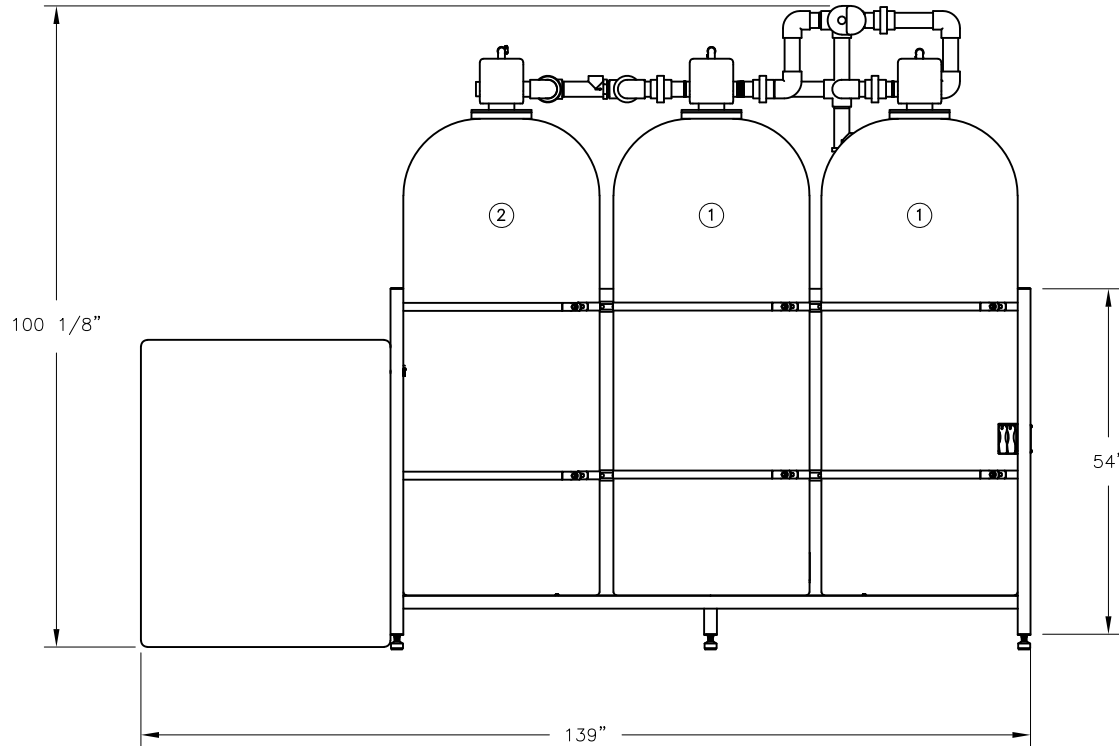
CONFIDENTIAL

DATE	REV	RECORD	DR
8/22	A	SUBMITTAL	JK



① DUPLEX WATER SOFTENER AND BRINE TANK 2" NPT CONNECTIONS			
EQUIPMENT	TOTAL CAPACITY	DIMENSION	ELECTRIC SUPPLY
RESIN TANKS (2)	25.0 CU. FT.	30"φ x 72"H EA.	120 VOLTS 5 AMP. OUTLET
BRINE TANK		39"φ x 48"H	

② DECHLORINATOR 2" NPT CONNECTIONS		
MODEL #	DC 3072	ELECTRIC SUPPLY
CAPACITY	12.5 CU. FT.	120 VOLTS 5 AMP. OUTLET
DIMENSION	30"φ x 72"	



		WD3072 & DC3072 SKID	
		MAT'L:	
SCALE: 1:30		P/N	
DRAWN BY: JK		GENERIC SUBMITTAL	
DATE: 8/15/22			