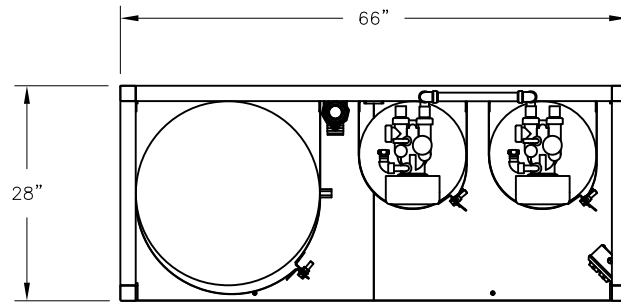


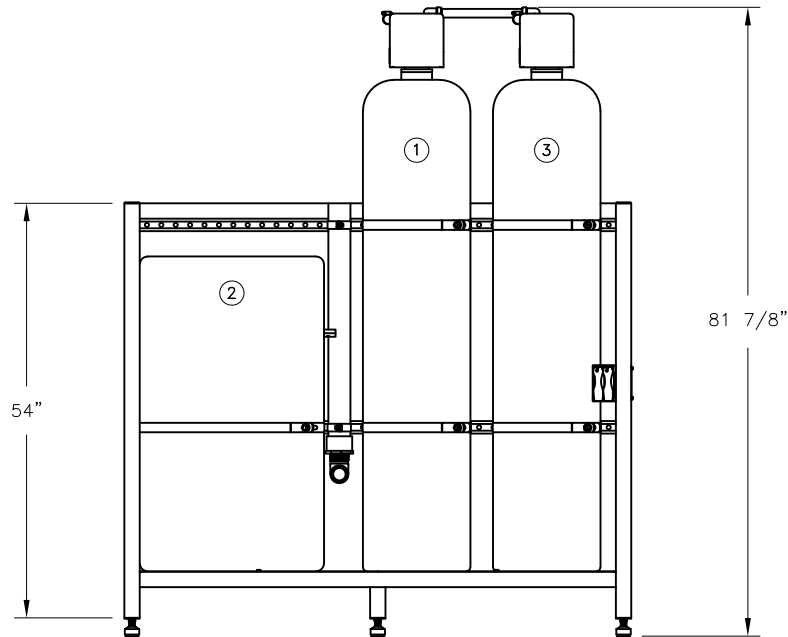
CONFIDENTIAL


DATE	REV	RECORD	DR
8/22	A	SUBMITTAL	JK



SINGLE WATER SOFTENER AND BRINE TANK 1" NPT CONNECTIONS			
EQUIPMENT	CAPACITY	DIMENSION	ELECTRIC SUPPLY
① RESIN TANK	3.0 CU. FT.	14"ø x 65"H	120 VOLTS 5 AMP. OUTLET
② BRINE TANK		24"ø x 41"H	

③ DECHLORINATOR 1" NPT CONNECTIONS		
MODEL #	ELECTRIC SUPPLY	
DC 1465	120 VOLTS 5 AMP. OUTLET	
CAPACITY	3.0 CU. FT.	
DIMENSION	14"ø X 65"	



		WS1465 & DC1465 SKID	
		MAT'L:	
SCALE: 1:25		P/N	
DRAWN BY: A		GENERIC SUBMITTAL	
DATE: 8/15/22			