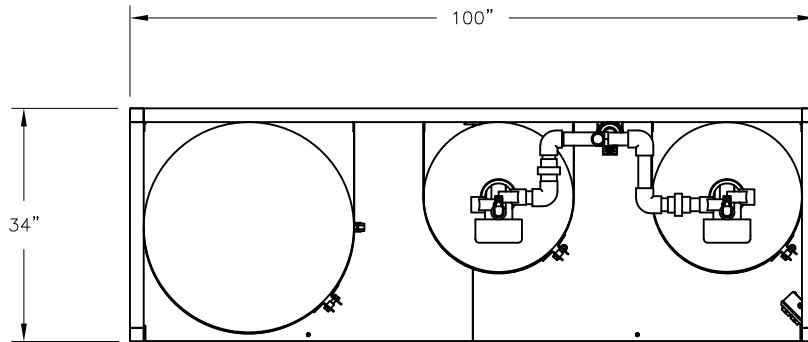


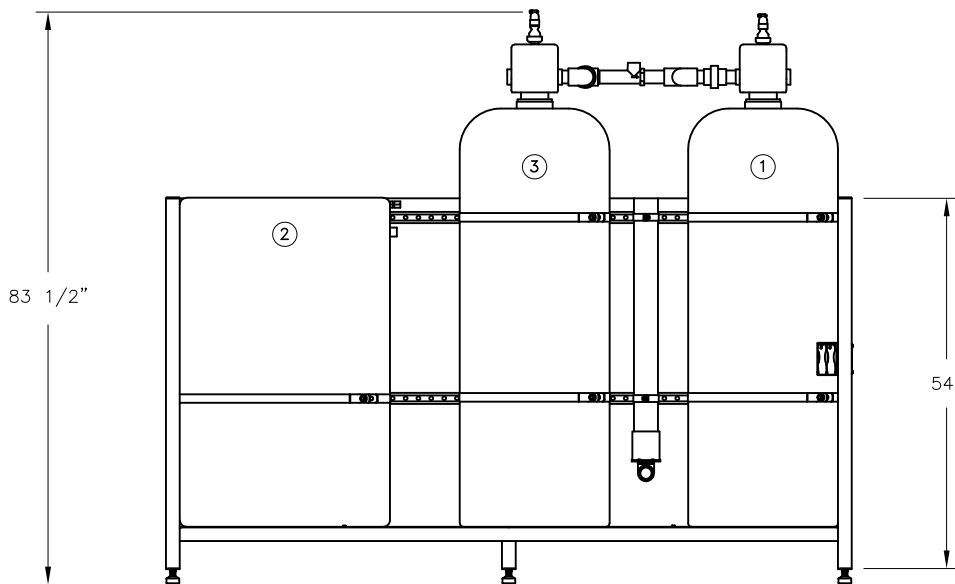
CONFIDENTIAL

DATE	REV	RECORD	DR
8/22	A	SUBMITTAL	JK



SINGLE WATER SOFTENER AND BRINE TANK 1-1/2" NPT CONNECTIONS			
EQUIPMENT	CAPACITY	DIMENSION	ELECTRIC SUPPLY
① RESIN TANK	6.0 CU. FT.	21"ø x 62"H	120 VOLTS 5 AMP. OUTLET
② BRINE TANK		30"ø x 48"H	

③ DECHLORINATOR 1-1/2" NPT CONNECTIONS		
MODEL #	DC 2162	ELECTRIC SUPPLY
CAPACITY	6.0 CU. FT.	120 VOLTS 5 AMP. OUTLET
DIMENSION	21"ø x 62"	



		WS2162 & DC2162 SKID	
		MAT'L:	
SCALE: 1:28		P/N	
DRAWN BY: JK		GENERIC SUBMITTAL	
DATE: 8/15/22			