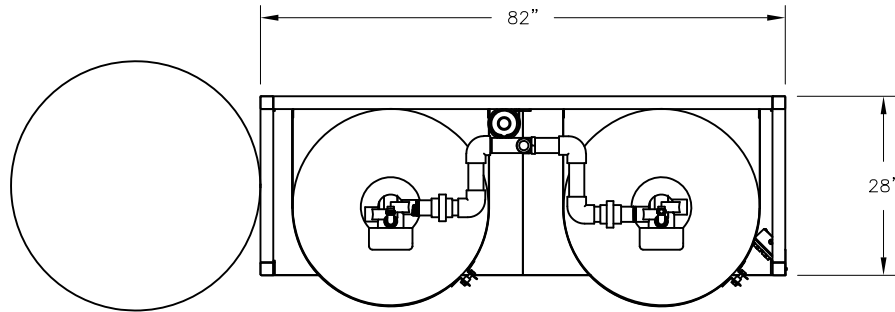


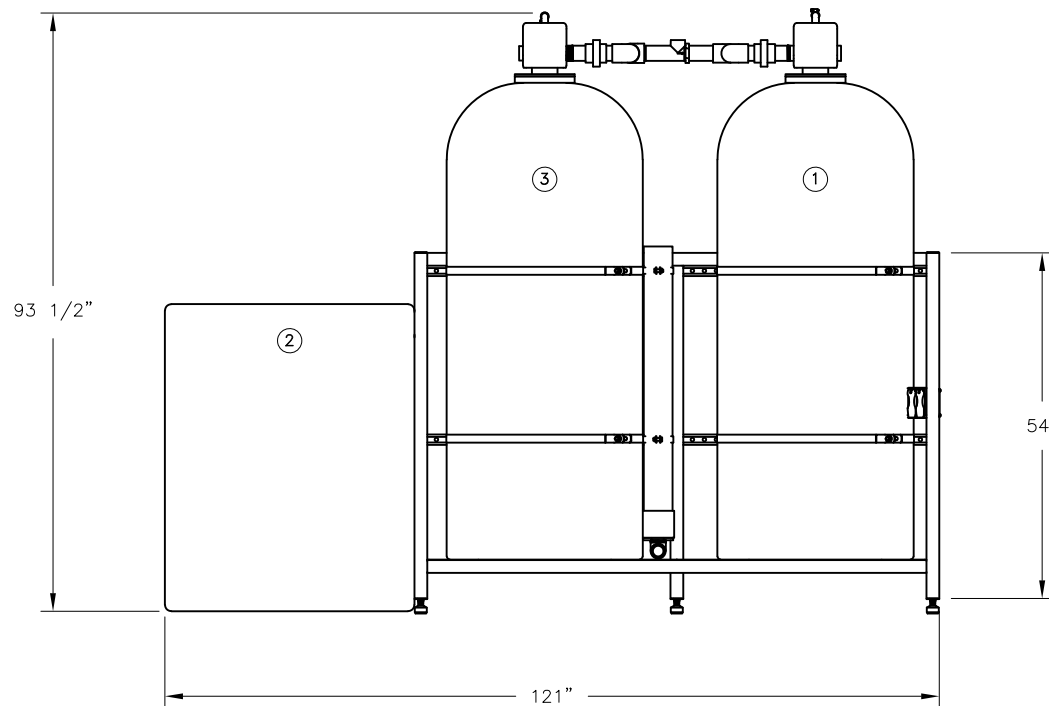
CONFIDENTIAL


DATE	REV	RECORD	DR
8/22	A	SUBMITTAL	JK



SINGLE WATER SOFTENER AND BRINE TANK 2" NPT CONNECTIONS			
EQUIPMENT	CAPACITY	DIMENSION	ELECTRIC SUPPLY
① RESIN TANK	12.5 CU. FT.	30"φ x 72"H	120 VOLTS 5 AMP. OUTLET
② BRINE TANK		39"φ x 48"H	

③ DECHLORINATOR 2" NPT CONNECTIONS		
MODEL #	DC 3072	ELECTRIC SUPPLY
CAPACITY	12.5 CU. FT.	120 VOLTS 5 AMP. OUTLET
DIMENSION	30"φ X 72"	



		WS3072 & DC3072 SKID	
		MAT'L:	
		SCALE: 1:30	P/N
		DRAWN BY: JK	GENERIC SUBMITTAL
		DATE: 8/15/22	