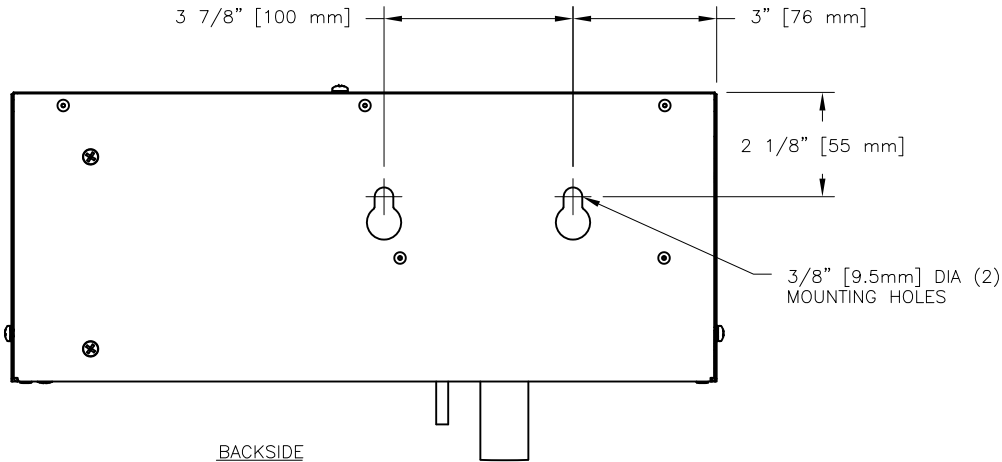
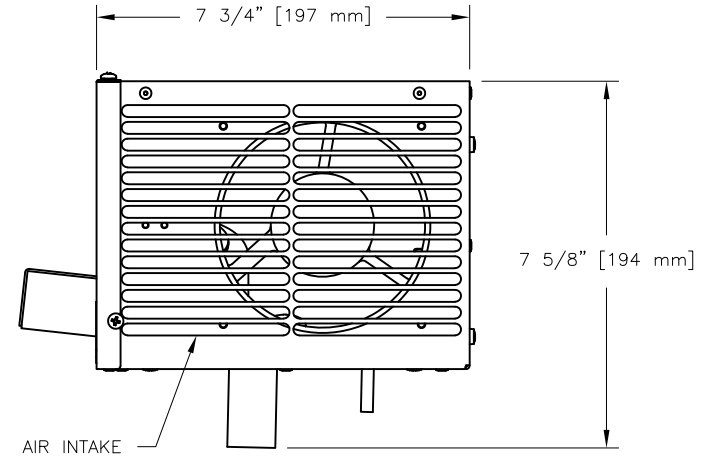
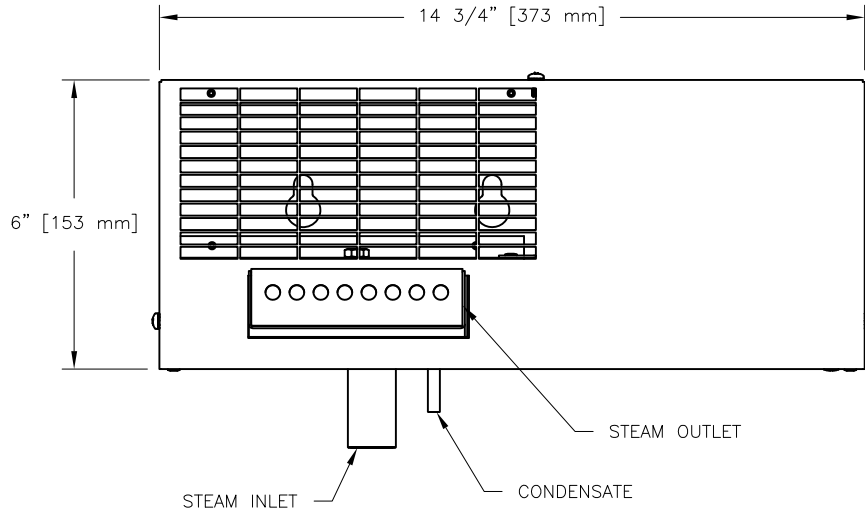


CONFIDENTIAL

DATE	REV	RECORD	DR
8/21	A	SUBMITTAL	JK
5/24	B	SUBMITTAL	JK



NOTE:  
FOR CAPACITIES UP TO 20 LBS/HR (9.1 KG/H)

		XT SERIES SDU-006E	
		MATERIAL:	
SCALE: 1:4	DRAWN BY: JK		P/N GENERIC SUBMITTAL
DATE: 8/5/21			