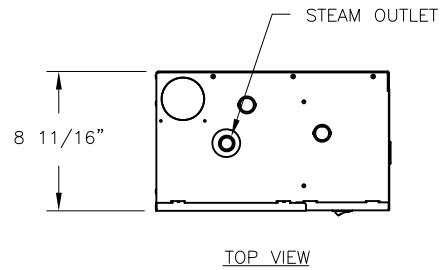
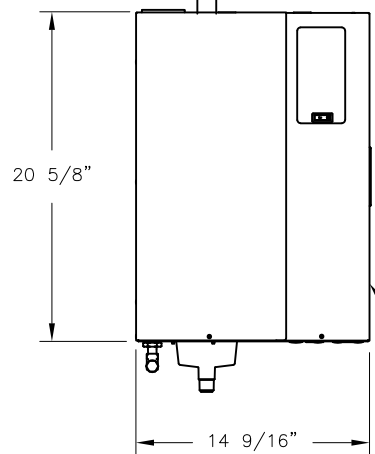
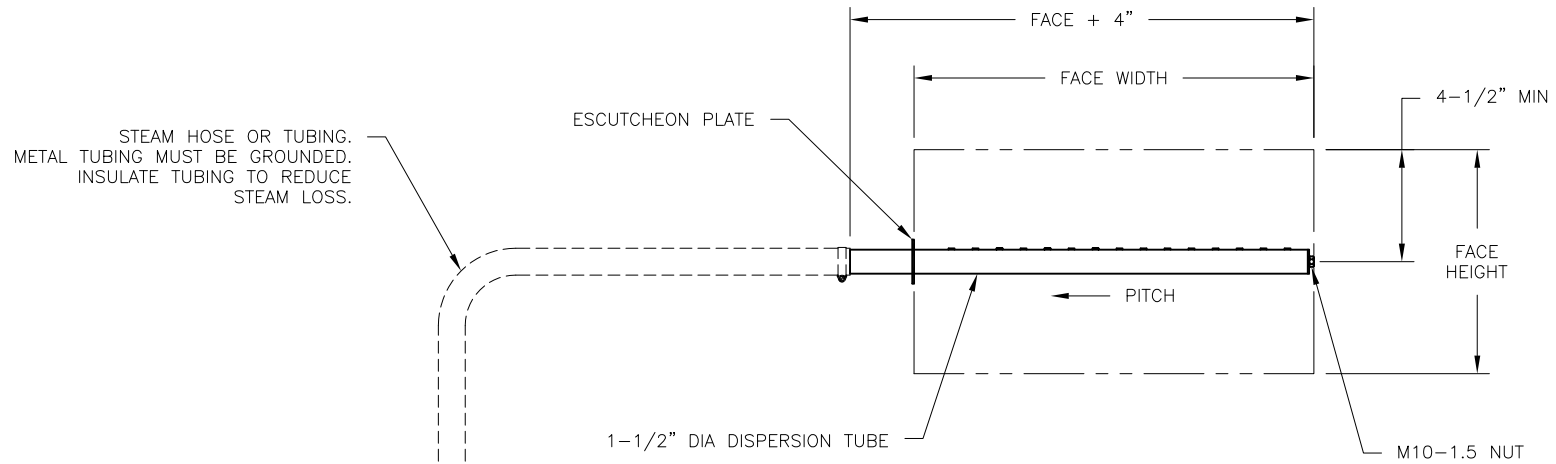


CONFIDENTIAL

DATE	REV	RECORD	DR
8/24	A	SUBMITTAL	JK



XTP002, 003, 006 HUMIDIFIER

		XTP002, 003, 006 WITH INLINE TUBE	
		MAT'L:	
SCALE: 1:12		P/N	
DRAWN BY: JK		GENERIC SUBMITTAL	
DATE: 8/20/24			