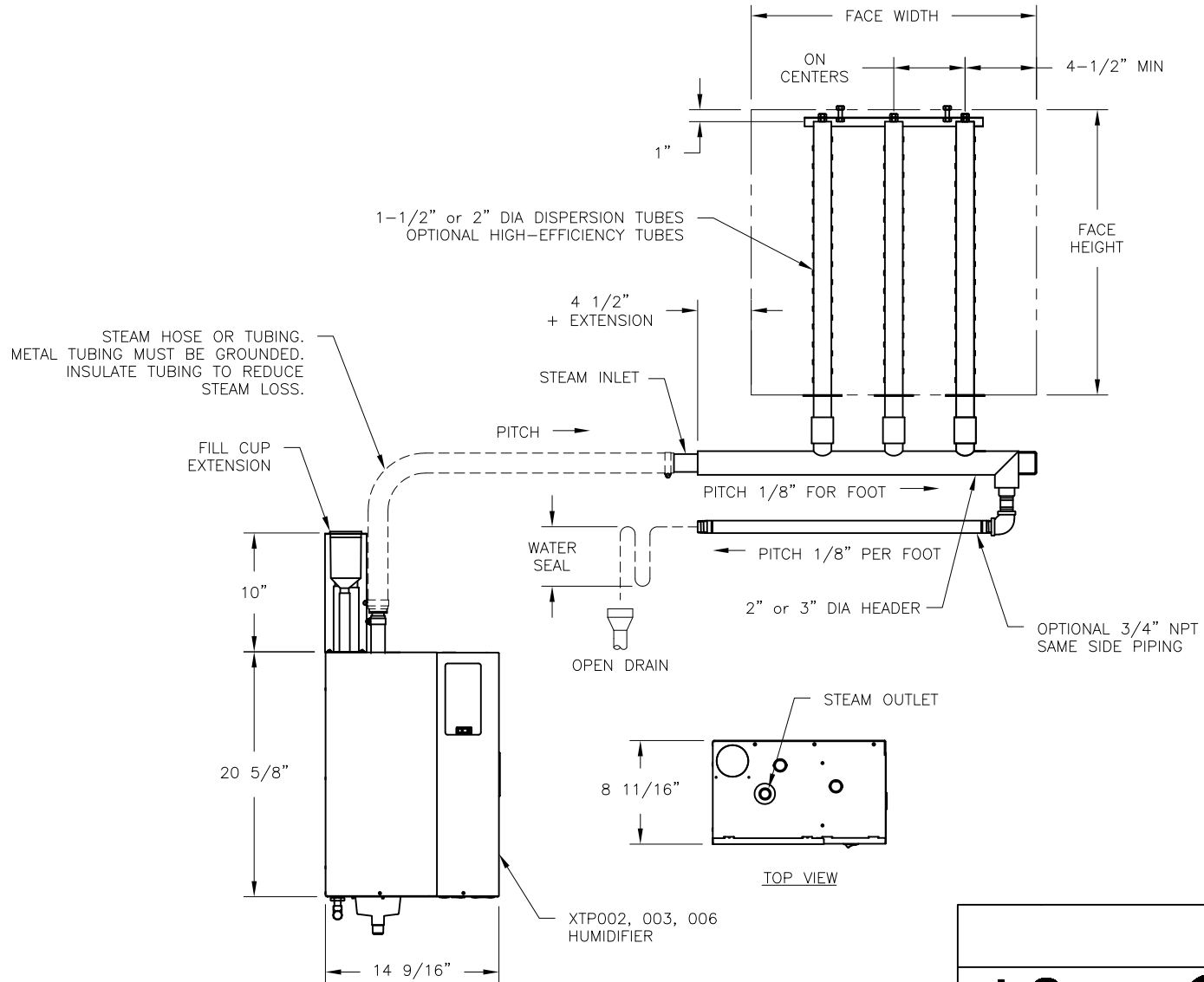


CONFIDENTIAL

DATE	REV	RECORD	DR
8/24	A	SUBMITTAL	JK



		XTP002, 003, 006 WITH RAPID-SORB HEADER OUTSIDE	
		MAT'L:	
SCALE: 1:14	P/N		GENERIC SUBMITTAL
DRAWN BY: JK	DATE: 8/16/24		