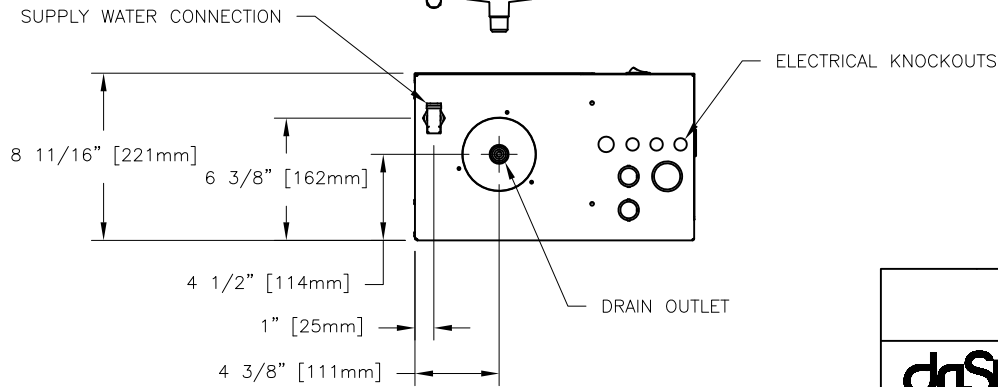
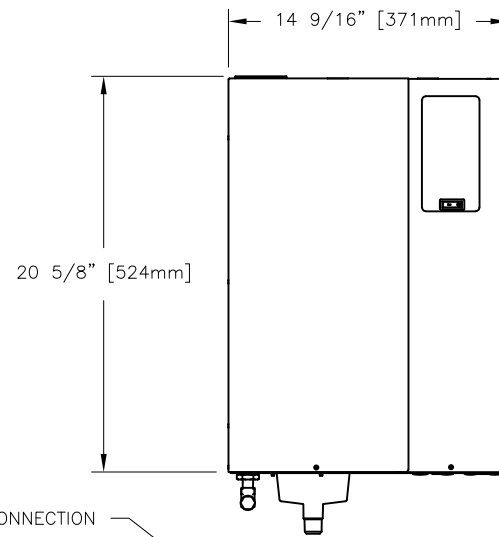
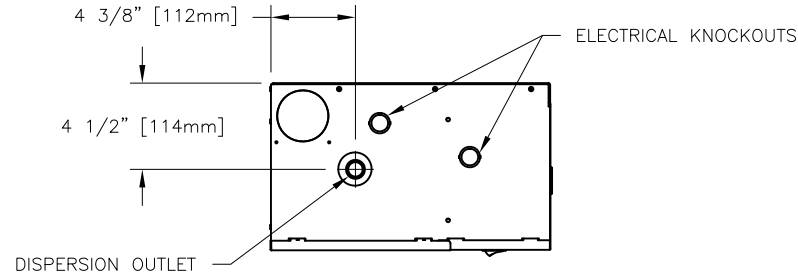



CONFIDENTIAL

DATE	REV	RECORD	DR
8/21	A	SUBMITTAL	JK
5/24	A	SUBMITTAL	AJK



		XTP-002,-003,-006	
		MAT'L:	
SCALE:	1:10	P/N GENERIC SUBMITTAL	
DRAWN BY:	JK		
DATE:	8/5/21		